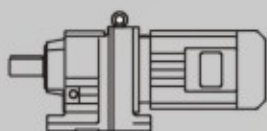
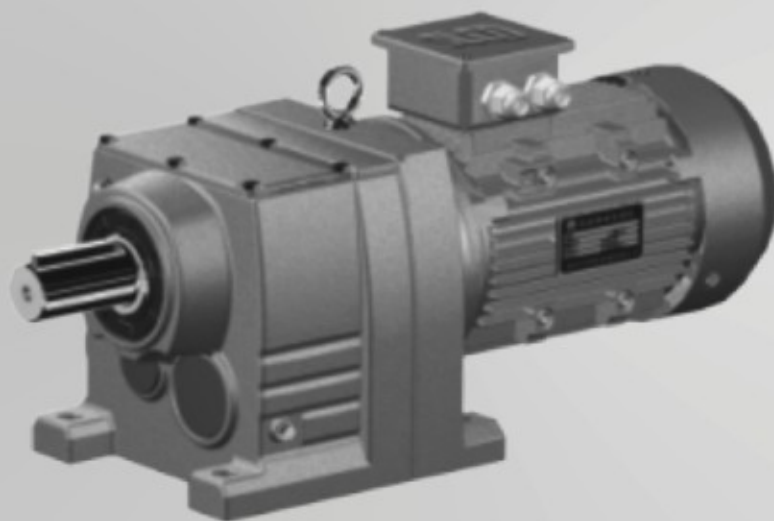


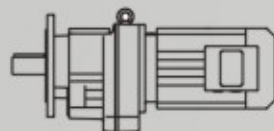
RC

系列斜齿减速器

Series Helical Gearmotor



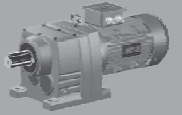
RCW...Y



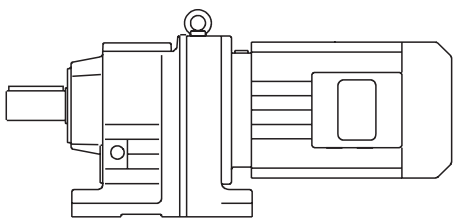
RCL...Y



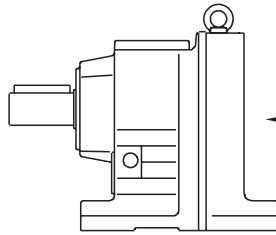
SLCD



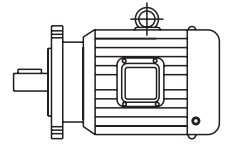
RC系列斜齿减速器
RC series Helical Gear motor



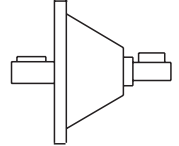
RCW...Y



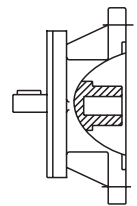
RCW



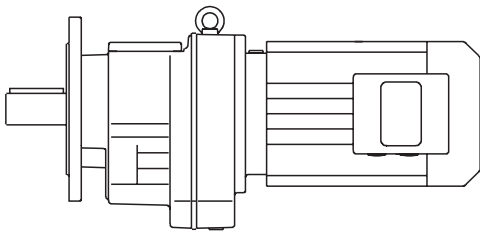
Y



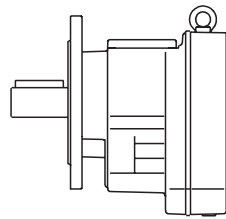
S



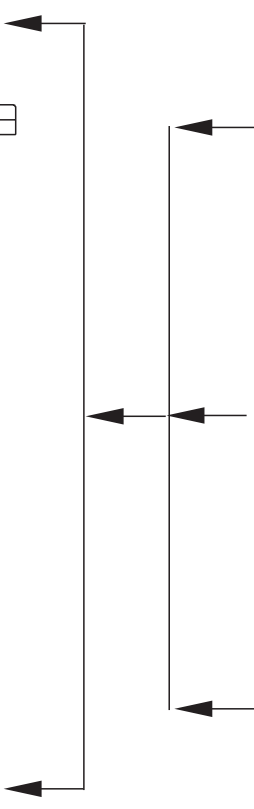
F



RCL...Y

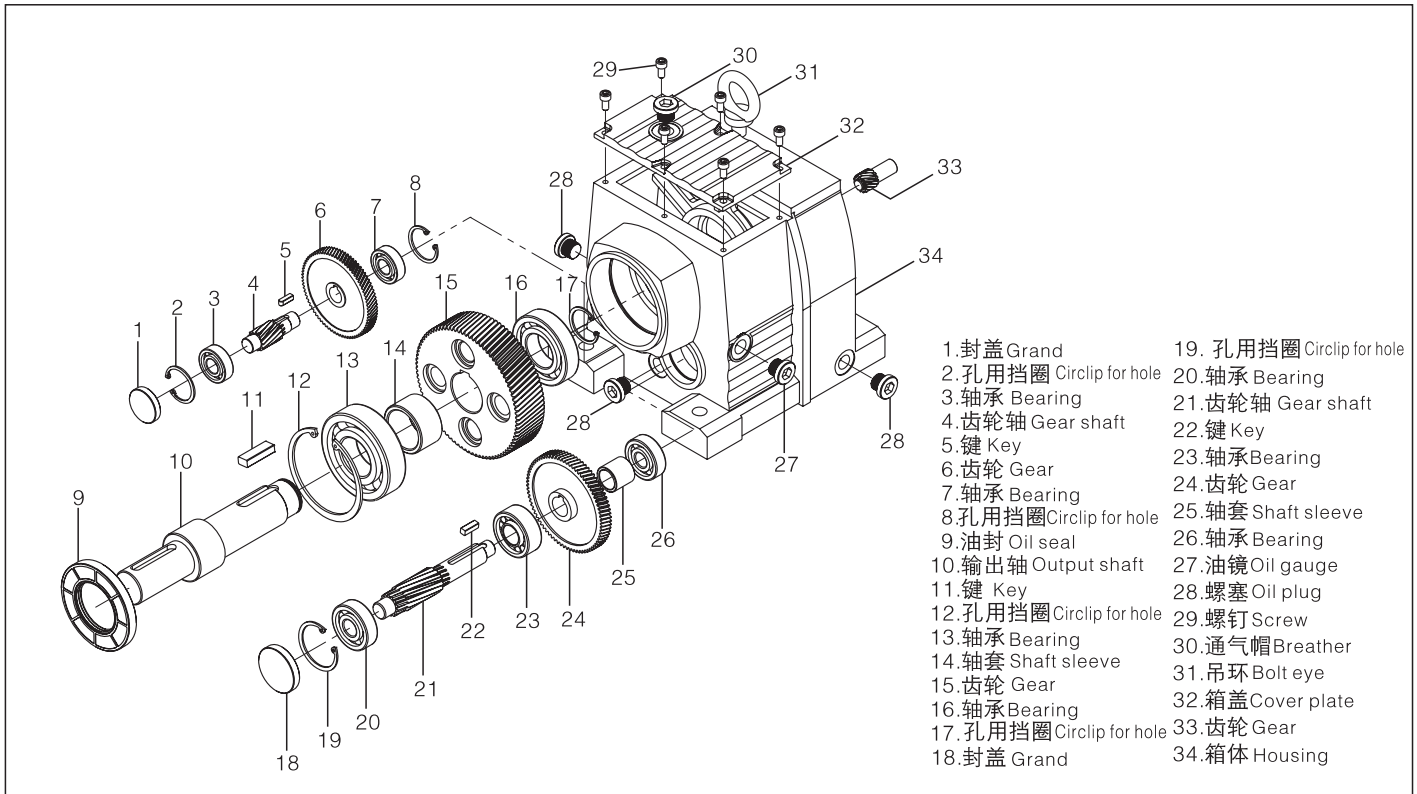


RCL





RC系列结构图:/RC series structrue drawing:



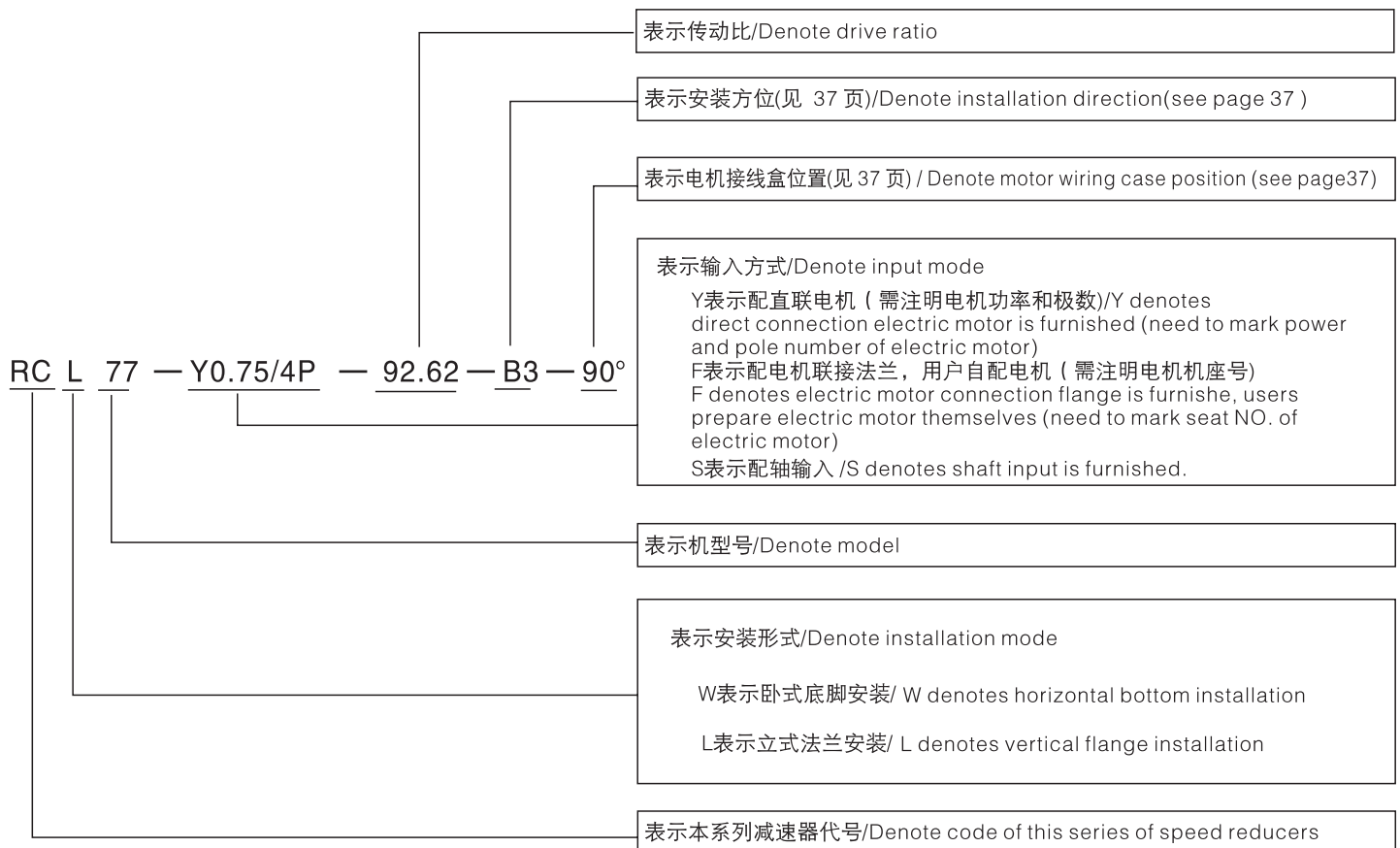
RC系列斜齿轮减速器型号规格及机型表示方法/

本系列减速器的型号规格有:RC37、47、57、67、77、87、97、107、137、147、167、187等12种, 减速比有4.86~197.4等多种速比, 可分别配置0.18~160KW。

Type, specification and model notation for RC series bevel gear speed reducers.:

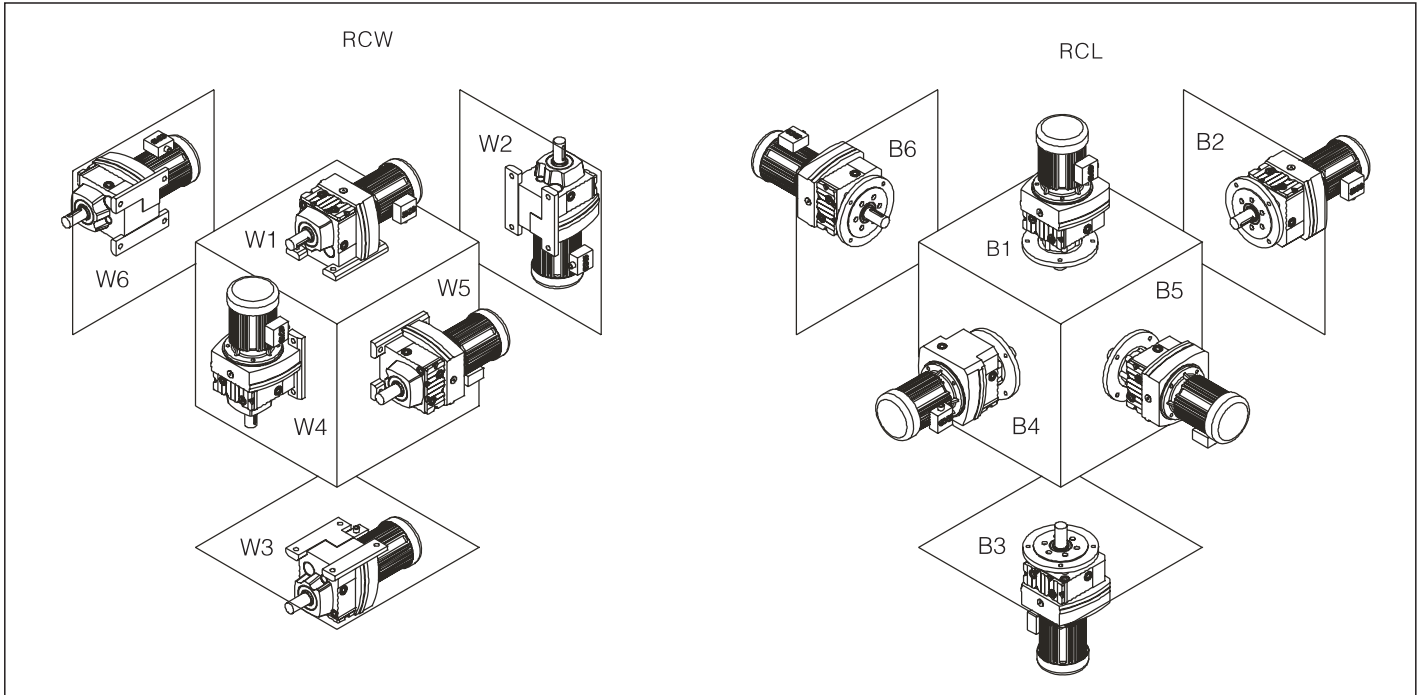
Types, specifications of this series speed reducer have 12 kinds including Rc37、47、57、67、77、87、97、107、137、147、167、187 etc, speed reducing ratio:4.86~197.4, which can be allocated to 0.18~160kW.

机型表示方法/Model notation:

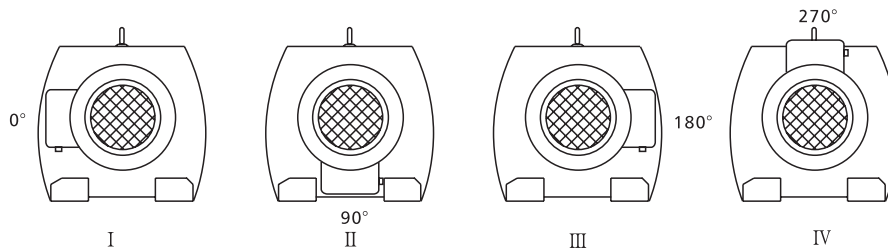




RC系列安装方位图/RC series installation direction diagram



RC系列电机接线盒位置/RC series motor wiring case position



RC系列油量表(单位L) /RC series oil capacity table (Unit:L)

安装方位 油量(L) 机型号	W1	W2	W3	W4	W5	W6	B1	B2	B3	B4	B5	B6
RC37	0.5(1.2)	1	1	1.5	1	1	1.5	0.5(1)	1	1.1	1.2	1.1
RC47	1(1.7)	1.7	2	2	1.5	1.5	2	1(1.5)	1.5	2.3	1.7	1.7
RC57	1.2(2)	2.1(3)	2.5	3	1.7	1.7	3	1.2(2)	2.2(3)	3	1.85	1.8
RC67	1.3(2.5)	2.5(3.7)	3	3.5	2	2	3.5	1.5(2.5)	3(3.5)	3.5	2	2
RC77	1.5(3.2)	4(4.5)	4	4.5	3.5	2.5	4.5	1.5(2.5)	4(4.5)	4.2	3	3
RC87	2.5(6.3)	7(8.5)	7.5	8	6.5	6.5	8	2.5(6)	7(8)	7.5	6.5	6.5
RC97	5(10)	12(15)	12	13.5	11.5	11.5	14	5.5(10.5)	12(14)	12	12	12
RC107	6.5(13.5)	17	17	19.5	16	13.5	19.5	6.5(15)	16	17	13	17
RC137	11(27)	29	30	31.5	25	25	32.5	9.5(25)	27	31	25	25
RC147	16(45)	47	49	53	41	39.5	52	16.5(45)	47	50	40	41
RC167	29(75)	85	78	90	70	66	88	26(70)	82	80	65	70
RC187	43(100)	170	150	170	140	120	150	37(120)	150	135	120	135

注：三级传动时表中油量选择括号内参数 /Note:Choose parameters inside bracket for oil capacity in the table in time of 3-stage drive.

RC系列重量表/RC series weight table

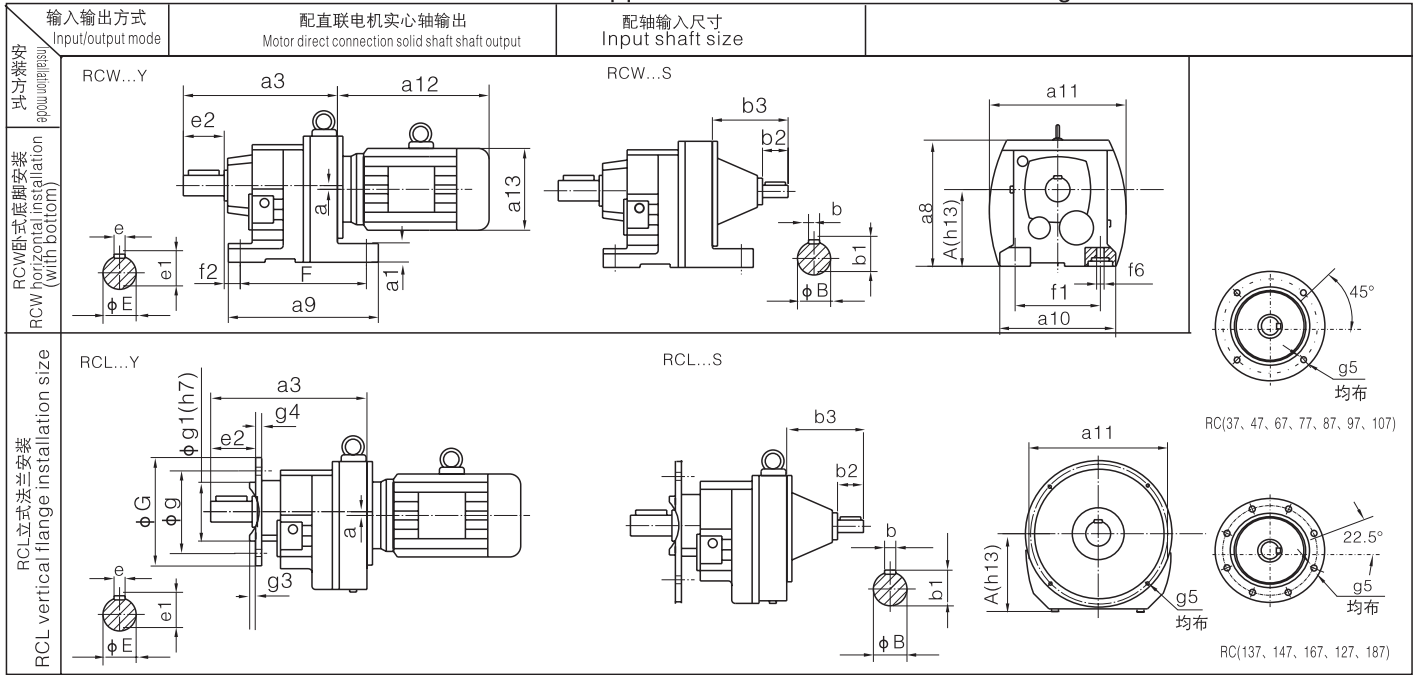
机型号/Type	RC37	RC47	RC57	RC67	RC77	RC87	RC97	RC107	RC137	RC147	RC167	RC187
重量kg/Weight kg	10	15	21	27	35	65	120	165	255	370	700	1500

注：表中重量为不加油时重量，带输入轴、输入法兰另加10%；带电机根据所配规格另加。

Note: Weight in the table means the weight when oil is not added. When input shaft is furnished, 10% weight should be added; If there is a motor, please add weight according to motor type.



RC系列外型及安装尺寸图和尺寸表 / RC series appearance and installation size diagram and table



尺寸部位 Size position	尺寸代号 Size code	机型号 / Type											
		RC37	RC47	RC57	RC67	RC77	RC87	RC97	RC107	RC137	RC147	RC167	RC187
外型尺寸 Appearance size	A(h13)	90	115	115	130	140	180	225	250	315	355	425	510
	a	5	15.5	8.1	19.5	10	17	11	24.5	35	41	63	66.8
	a1	18	24	24	30	30	45	55	65	70	80	100	120
	a3	200	235	257	280	300	372	440	495	590	695	790	935
	a8	150	190	189	215	235	300	370	410	505	570	680	800
	a9	160	195	200	235	245	310	365	440	490	590	670	800
	a10	145	170	190	210	230	290	340	400	450	530	660	760
	a11	160	185	202	220	240	305	355	415	465	550	680	770
	a12 a13	详见末页电机一览表(见280页) See motor summary table on last page for details (see page280)											
轴输入尺寸 Input shaft size	φB	16k6	19k6	19k6	19k6	24k6	28k6	38k6	42k6	48k6	55m6	70m6	70m6
	b	5	6	6	6	8	8	10	12	14	16	20	20
	b1	18	21.5	21.5	21.5	27	31	41	45	51.5	59	74.5	74.5
	b2	40	40	40	40	50	60	80	110	110	110	140	140
	b3	115	120	120	120	140	180	220	270	300	300	375	375
实心轴输出尺寸 Solid shaft output size	φE	25k6	30k6	35k6	35k6	40k6	50k6	60m6	70m6	90m6	110m6	120m6	160m6
	e	8	8	10	10	12	14	18	20	25	28	32	40
	e1	28	33	38	38	43	53.5	64	74.5	95	116	127	169
	e2	50	60	70	70	80	100	120	140	170	210	210	250
底脚安装尺寸 Bottom horizontal installation size	F	130	165	165	195	205	260	310	370	410	500	580	680
	f1	110	135	135	150	170	215	250	290	340	380	500	580
	f2	25	30	30	30	35	40	40	45	50	50	60	75
	f6	4-φ9	4-φ13.5	4-φ13.5	4-φ13.5	4-φ17.5	4-φ17.5	4-φ22	4-φ26	4-φ33	4-φ39	4-φ39	4-φ45
法兰式安装尺寸 Flange vertical installation size	φG	120	160	200	200	250	300	350	350	450	450	550	660
		(160)	(200)	(250)	(250)	(300)	(350)	(450)	(450)	(550)	(550)	(660)	(770)
	φg	100	130	165	165	215	265	300	300	400	400	500	600
		(130)	(165)	(215)	(215)	(265)	(300)	(400)	(400)	(500)	(500)	(600)	(700)
	φg1(h7)	80	110	130	130	180	230	250	250	350	350	450	550
		(110)	(130)	(180)	(180)	(230)	(250)	(350)	(350)	(450)	(450)	(550)	(650)
	g3	3	3.5	3.5	3.5	4	4	5	5	5	5	5	6
		(4)	(4)	(4)	(4)	(4)	(4)	5	5	5	5	5	6
g4	8	10	12	12	15	16	20	20	22	22	25	30	
	(10)	(12)	(15)	(15)	(16)	(18)	(22)	(22)	(25)	(25)	(30)	(35)	
g5	4-φ7	4-φ9	4-φ11	4-φ11	4-φ13.5	4-φ13.5	4-φ17.5	4-φ17.5	8-φ17.5	8-φ17.5	8-φ17.5	8-φ22	
	(4-φ9)	(4-φ11)	(4-φ13.5)	(4-φ13.5)	4-φ13.5	(4-φ17.5)	(8-φ17.5)	8-φ17.5	8-φ17.5	8-φ17.5	8-φ17.5	8-φ22	

*注：表中括号内尺寸为非标准尺寸，选用时需说明，配电机联接法兰请见样本第100页。

*Note: Inside the brackets of above table are non-standard sizes. Please specify in time of selection and use. Please see page100of the catalogue if motor connecting flanges are furnished.



RC系列传动能力表: RC series drive capacity table:

RC37传动能力选型参数表 / RC37 series of transmission power parameter form		is精确传动比/Exact ratio is																									
P1	参数代号 Parameter code	is精确传动比/Exact ratio is																									
		5.00	6.16	6.88	7.71	8.77	10.80	12.06	13.52	15.25	17.33	18.53	21.35	24.93	27.22	33.55	37.44	41.99	50.09	61.73	68.90	77.26	87.14	99.00	105.9	122.0	142.5
0.12kW 4P	T2 (N.m)	3.7	4.6	5.1	5.7	6.5	8.0	9.0	10	11	13	14	16	19	20	25	28	31	37	46	51	57	65	74	79	91	106
	FB	32.92	29.17	26.50	25.58	22.50	19.92	18.33	17.33	16.58	14.58	13.67	9.33	8.67	8.58	7.58	6.75	6.00	5.07	4.12	3.65	3.25	2.93	2.54	2.4	2.1	1.7
0.18kW 4P	T2 (N.m)	5.6	6.9	7.7	8.6	10	12	13	15	17	19	21	24	28	31	39	43	49	55	68	76	85	96	109	116	134	157
	FB	21.94	19.45	17.67	17.06	15.00	13.28	12.22	11.56	11.06	9.72	9.11	6.22	5.78	5.60	4.85	4.49	3.99	3.38	2.75	2.43	2.17	1.96	1.69	1.59	1.37	1.16
0.25kW 4P	T2 (N.m)	7.9	10	11	12	14	17	19	21	24	27	29	34	40	44	54	60	67	77	94	105	118	133	151	155	189	221
	FB	15.80	13.71	12.46	12.02	10.58	9.36	8.62	8.15	7.79	6.85	6.42	4.48	4.16	4.11	3.63	3.23	2.87	2.44	1.98	1.75	1.56	1.41	1.22	1.14	0.99	0.84
0.37kW 4P	T2 (N.m)	12	14	16	18	21	25	28	32	36	41	43	50	59	65	80	89	100	113	139	156	177	200	227			
	FB	10.68	9.26	8.42	8.12	7.15	6.32	5.82	5.50	5.27	4.73	4.43	3.03	2.81	2.78	2.46	2.19	1.94	1.65	1.34	1.18	1.05	0.95	0.82			
0.55kW 4P	T2 (N.m)	17	21	24	27	30	38	42	47	54	61	66	76	89	96	118	132	148	171	210	235						
	FB	7.18	6.23	5.66	5.47	4.91	4.35	4.00	3.78	3.62	3.18	2.98	2.04	1.89	1.87	1.65	1.47	1.31	1.11	0.90	0.80						
0.75kW 4P	T2 (N.m)	24	29	33	37	42	52	58	65	74	84	90	103	120	131	156	174	195	233								
	FB	5.27	4.67	4.24	4.09	3.60	3.19	2.93	2.77	2.65	2.33	2.19	1.49	1.39	1.37	1.21	1.08	0.96	0.81								
1.1kW 4P	T2 (N.m)	35	43	48	54	61	75	84	94	106	121	129	148	173	185	228											
	FB	3.59	3.18	2.89	2.79	2.45	2.17	2.00	1.89	1.81	1.59	1.49	1.02	0.95	0.93	0.83											
1.5kW 4P	T2 (N.m)	47	58	65	73	83	102	114	128	145	164	176															
	FB	2.63	2.33	2.12	2.05	1.8	1.59	1.47	1.39	1.33	1.17	1.09															
2.2kW 4P	T2 (N.m)	70	86	96	107	122	150	168	188	212	241																
	FB	1.8	1.59	1.45	1.4	1.23	1.09	1	0.95	0.9	0.8																
3kW 4P	T2 (N.m)	95	117	131	146	166	205	229	256	289																	
	FB	1.32	1.17	1.06	1.02	0.90	0.80																				
0.18kW 6P	T2 (N.m)												37	44	48	59	66	74	84	103	115	128	145	167	178	205	
	FB												4.12	3.78	3.77	3.32	2.94	2.60	2.23	1.81	1.60	1.44	1.30	1.12	1.05	0.91	
0.37kW 6P	T2 (N.m)																										
	FB																										
0.75kW 6P	T2 (N.m)																										
	FB																										
1.5kW 6P	T2 (N.m)																										
	FB																										
4P n1=1450rpm	n2 (rpm)	290	235	211	188	165	134	120	107	95.1	83.7	78.3	67.9	58.2	53.3	43.2	38.7	34.5	28.9	23.5	21.0	18.8	16.6	14.6	13.7	11.9	10.2
	n3 (rpm)	192	156	140	125	109	88.9	79.6	71.0	63.0	55.4	51.8	45.0	38.5	35.3	28.6	25.6	22.9	19.2	15.6	13.9	12.4	11.0	9.70	9.07	7.87	6.74

注 1、表中P1表示配置电机额定功率, n1表示减速器输入转速, n2表示减速器输出转速, n3表示减速器输出转速, n4表示减速器输出转速;
 2、表中黑色方框内参数需配电机联接法兰; 3、RC37型减速器输入转矩T1为200 N.m。
 Note 1.P1 in the table denotes rated power of motor is furnished, n1 denotes input revolution of speed reducer, n2 denotes its output revolution, T2 denotes its output torque, and FB denotes its performance coefficient. 2.Parameters inside black frame of the table need to be furnished with motor connecting flange. 3.RC37 type speed reducer allowable torque TN2 is 200N.m



RC47传动能力选型参数表/RC47 series of transmission power parameter form

P1	参数代号 Parameter code	is精确传动比/Exact ratio is																																						
		5.02	5.98	6.87	7.56	8.74	10.43	11.97	13.18	15.34	17.08	19.13	20.31	24.62	27.69	33.01	37.91	41.73	48.57	54.08	60.59	67.60	74.42	86.61	96.43	108.1	114.7	139.0	160.3	173.1										
0.12kW 4P	T2 (N.m)																								64	72	80	85	103	119	129									
	FB																								4.42	3.92	3.50	3.33	2.75	2.33	2.17									
0.18kW 4P	T2 (N.m)																				60	68	75	83	97	107	120	128	155	179	193									
	FB																				4.66	4.17	3.72	3.39	2.94	2.61	2.33	2.22	1.83	1.56	1.44									
0.25kW 4P	T2 (N.m)																				51	59	65	75	84	94	105	115	134	149	174	184	223	257	278					
	FB																				4.80	4.36	4.20	3.76	3.36	3.00	2.68	2.44	2.12	1.88	1.68	1.60	1.32	1.12	1.04					
0.37kW 4P	T2 (N.m)																				54	63	76	87	96	111	124	139	155	170	198	221	230	257	273					
	FB																				4.43	3.73	3.24	2.95	2.84	2.54	2.27	2.03	1.81	1.65	1.43	1.27	1.13	1.08	0.89					
0.55kW 4P	T2 (N.m)																				53	59	67	71	80	94	112	129	142	165	192	215	240	264	307	328				
	FB																				4.76	4.69	4.25	3.40	2.98	2.51	2.18	1.98	1.91	1.71	1.53	1.37	1.22	1.11	0.96	0.85				
0.75kW 4P	T2 (N.m)																				33	36	41	49	57	63	73	81	91	96	109	129	153	183	202	235	261	293	314	346
	FB																				4.75	4.68	4.47	4.36	4.15	3.84	3.49	3.44	3.12	2.49	2.19	1.84	1.60	1.45	1.40	1.25	1.12	1.00	0.89	0.81
1.1kW 4P	T2 (N.m)																				48	57	65	73	85	101	116	127	148	165	185	196	238	267	307					
	FB																				3.03	2.64	2.37	2.34	2.24	2.18	2.07	1.92	1.75	1.72	1.56	1.25	1.09	0.92	0.8					
1.5kW 4P	T2 (N.m)																				71	85	98	107	124	148	170	187	218	242	271	288								
	FB																				4.13	3.60	3.24	3.19	3.05	2.97	2.83	2.62	2.38	2.35	2.13	1.70	1.49	1.25	1.09	0.99	0.85			
2.2kW 4P	T2 (N.m)																				48	57	65	73	85	101	116	127	148	165	185	196	238	267	307					
	FB																				3.03	2.64	2.37	2.34	2.24	2.18	2.07	1.92	1.75	1.72	1.56	1.25	1.09	0.92	0.8					
3kW 4P	T2 (N.m)																				71	85	98	107	124	148	170	187	218	242	271	288								
	FB																				2.06	1.8	1.62	1.6	1.52	1.49	1.41	1.31	1.19	1.17	1.06	0.85								
4kW 4P	T2 (N.m)																				95	113	130	143	166	198	227	250	291	324										
	FB																				1.51	1.32	1.19	1.17	1.12	1.09	1.04	0.96	0.87	0.86										
0.18kW 6P	T2 (N.m)																				127	151	174	191	221	264														
	FB																				1.14	0.99	0.89	0.88	0.84	0.82														
0.37kW 6P	T2 (N.m)																				56	64	70	82	91	102	114	125	146	168	189	322	243	280	302					
	FB																				4.41	4.01	3.86	3.46	3.09	2.76	2.46	2.24	1.95	1.67	1.54	1.47	1.21	1.03	0.96					
0.75kW 6P	T2 (N.m)																				53	59	69	73	89	100	119	136	150	175	195	219	244	268	312	334				
	FB																				4.88	4.80	4.18	3.35	2.69	2.37	2.06	1.88	1.81	1.61	1.44	1.29	1.15	1.05	0.91	0.84				
1.5kW 6P	T2 (N.m)																				36	43	49	54	63	76	88	96	112	125	139	148	178	202	241	277	305	341		
	FB																				4.01	3.50	3.16	3.11	2.96	2.88	2.75	2.56	2.32	2.29	2.08	1.67	1.34	1.17	1.02	0.92	0.89	0.83		
n1=1450rpm	T2 (N.m)																				72	86	98	108	125	149	171	189	220	245	274	291								
	FB																				2.00	1.75	1.58	1.55	1.48	1.44	1.38	1.27	1.15	1.14	1.05	0.84								
n1=960rpm	n2 (rpm)	289	242	211	192	166	139	121	110	94.5	84.9	75.8	71.4	63.0	52.4	43.9	38.2	34.7	29.9	26.8	23.9	21.4	19.5	16.7	15.0	13.4	12.6	10.4	9.05	8.38										
	n2 (rpm)	191	161	140	127	110	92.0	80.2	72.8	62.6	56.2	50.2	47.3	41.7	34.7	29.1	25.3	23.0	19.8	17.8	15.8	14.2	12.9	11.1	9.96	8.88	8.37	6.91	5.99	5.55										

注 1、表中P1表示配置电机额定功率，n1表示减速器输入转速，n2表示减速器输出转速，T2表示减速器输出扭矩，FB表示减速器使用系数；
2、表中黑色方框内参数需配电机联接法兰；3、RC47型减速器许用扭矩Tn2为300N.m。

Note 1.P1 in the table denotes rated power of motor is furnished, n1 denotes input revolution of speed reducer, n2 denotes its output revolution, T2 denotes its output torque, and FB denotes its performance coefficient. 2.Parameters inside black frame of the table need to be furnished with motor connecting flange. 3.RC47 type speed reducer allowable torque Tn2 is 300N.m



RC77传动能力选型参数表/RC77 series of transmission power parameter form		is精确传动比/Exact ratio is																																							
P1	参数代号 Parameter code	4.99	5.96	6.77	7.52	8.41	10.56	11.98	13.33	14.90	16.75	18.98	20.80	24.75	27.72	33.12	37.58	41.80	46.72	52.53	59.51	66.25	73.69	82.37	92.62	104.9	115.0	136.9	155.4	166.4	192.6										
0.25kW 4P	T2 (N.m)																									162	178	212	241	258	298										
	FB																									4.76	4.32	2.88	2.74	2.56	2.52										
0.37kW 4P	T2 (N.m)																							169	189	212	240	264	313	356	381	441									
	FB																							4.56	4.08	3.64	3.22	2.92	1.95	1.85	1.73	1.70									
0.55kW 4P	T2 (N.m)																				159	179	203	226	251	280	315	357	392	466	551	590	656								
	FB																				4.84	4.30	3.80	3.42	3.07	2.75	2.45	2.16	1.96	1.31	1.25	1.16	1.14								
0.75kW 4P	T2 (N.m)																				174	194	217	244	276	308	342	382	430	487	555	635	736	773	894						
	FB																				4.42	3.97	3.55	3.15	2.79	2.51	2.25	2.01	1.80	1.59	1.44	0.96	0.91	0.85	0.84						
1.1kW 4P	T2 (N.m)																				172	189	226	256	318	358	405	451	522	585	656	729	783								
	FB																				3.90	3.61	3.42	3.01	2.71	2.42	2.15	1.90	1.71	1.53	1.37	1.23	1.08	0.98							
1.5kW 4P	T2 (N.m)																				159	180	197	235	257	308	349	388	434	488	575	615	697	765	860						
	FB																				4.72	4.16	3.99	2.86	2.65	2.51	2.21	1.98	1.77	1.58	1.39	1.25	1.13	1.01	0.9						
2.2kW 4P	T2 (N.m)																				147	167	185	207	233	264	289	344	378	470	534	569	636	729	811	902					
	FB																				4.12	3.98	3.73	3.43	3.21	2.84	2.72	1.95	1.81	1.71	1.51	1.35	1.21	1.08	0.95	0.86					
3kW 4P	T2 (N.m)																				113	128	143	160	200	227	253	283	318	360	395	469	535	615	715	868					
	FB																				4.60	4.33	4.10	3.80	3.02	2.92	2.36	2.08	2.00	1.43	1.32	1.25	1.10	0.99	0.89						
4kW 4P	T2 (N.m)																				126	151	171	190	213	267	303	337	424	480	534	635	709	820	931						
	FB																				3.88	3.45	3.25	3.08	2.85	2.27	2.19	2.05	1.89	1.77	1.56	1.5	1.07	0.99	0.94	0.83					
5.5kW 4P	T2 (N.m)																				174	207	235	262	292	367	417	464	530	596	674	721									
	FB																				2.82	2.51	2.36	2.24	2.07	1.65	1.59	1.49	1.37	1.29	1.13	1.09									
7.5kW 4P	T2 (N.m)																				237	283	321	357	399	501	581	643	706	794	900	986									
	FB																				2.07	1.84	1.73	1.64	1.52	1.21	1.17	1.09	1.01	0.94	0.83	0.8									
11kW 4P	T2 (N.m)																				354	423	480	534	596	733	833														
	FB																				1.41	1.25	1.18	1.12	1.04	0.82	0.8														
0.18kW 6P	T2 (N.m)																																								
	FB																																								
0.37kW 6P	T2 (N.m)																																								
	FB																																								
0.75kW 6P	T2 (N.m)																																								
	FB																																								
1.5kW 6P	T2 (N.m)																																								
	FB																																								
3kW 6P	T2 (N.m)																																								
	FB																																								
5.5kW 6P	T2 (N.m)																																								
	FB																																								
4P n1=1450rpm	n2 (rpm)	291	243	214	193	172	137	121	109	97.3	86.6	76.4	69.7	58.6	52.3	43.8	38.6	34.7	31.0	27.6	24.4	21.9	19.7	17.6	15.7	13.8	12.6	10.6	9.33	8.72	7.53										
	n2 (rpm) n1=960rpm	192	161	142	128	114	90.9	80.1	72.0	64.4	57.3	50.6	46.2	38.8	34.6	29.0	25.5	23.0	20.5	18.3	16.1	14.5	13.0	11.7	10.4	9.15	8.34	7.01	6.18	5.77	4.98										

注 1、表中P1表示配置电机额定功率，n1表示减速器输入转速，n2表示减速器输出转速，T2表示减速器输出扭矩，FB表示减速器使用系数；
 2、表中黑色方框内参数需配电机联接法兰；3、RC77型减速器许用扭矩Tn2为800N.m。
 Note 1.P1 in the table denotes rated power of motor is furnished, n1 denotes input revolution of speed reducer, n2 denotes its output revolution, T2 denotes its output torque, and FB denotes its performance coefficient. 2.Parameters inside black frame of the table need to be furnished with motor connecting flange. 3.RC77 type speed reducer allowable torque Tn2 is 800N.m



RC167传动能力选型参数表/Rc167 series of transmission power parameter form

is精确传动比/Exact ratio is

参数代号 Parameter code		8.91	10.71	12.39	13.72	15.26	17.00	18.80	20.92	24.88	27.38	33.01	36.86	42.47	47.24	52.83	59.49	65.50	75.47	83.94	93.88	105.7	115.0	136.9	154.3	169.1	186.4	207.1	232.1	263.0			
4kW 4P	T2 (N.m)																																
	FB																																
5.5kW 4P	T2 (N.m)																																
	FB																																
7.5kW 4P	T2 (N.m)																																
	FB																																
11kW 4P	T2 (N.m)																																
	FB																																
15kW 4P	T2 (N.m)																																
	FB																																
18.5kW 4P	T2 (N.m)																																
	FB																																
22kW 4P	T2 (N.m)																																
	FB																																
30kW 4P	T2 (N.m)																																
	FB																																
37kW 4P	T2 (N.m)																																
	FB																																
45kW 4P	T2 (N.m)																																
	FB																																
55kW 4P	T2 (N.m)																																
	FB																																
75kW 4P	T2 (N.m)																																
	FB																																
90kW 4P	T2 (N.m)																																
	FB																																
110kW 4P	T2 (N.m)																																
	FB																																
132kW 4P	T2 (N.m)																																
	FB																																
160kW 4P	T2 (N.m)																																
	FB																																
200kW 4P	T2 (N.m)																																
	FB																																
2.2kW 6P	T2 (N.m)																																
	FB																																
4kW 6P	T2 (N.m)																																
	FB																																
7.5kW 6P	T2 (N.m)																																
	FB																																
15kW 6P	T2 (N.m)																																
	FB																																
22kW 6P	T2 (N.m)																																
	FB																																
37kW 6P	T2 (N.m)																																
	FB																																
55kW 6P	T2 (N.m)																																
	FB																																
4P n1=1450rpm 6P n1=960rpm	n2 (rpm)	163	135	117	106	95.0	85.3	77.1	69.3	58.3	53.0	43.9	39.3	34.1	30.7	27.4	24.4	22.1	19.2	17.3	15.4	13.7	12.6	10.6	9.40	8.58	7.78	7.00	6.25	5.51			
	n2 (rpm)	108	89.6	77.5	70.0	62.9	56.5	51.1	45.9	38.6	35.1	29.1	26.0	22.6	20.3	18.2	16.1	14.7	12.7	11.4	10.2	9.08	8.34	7.01	6.22	5.68	5.15	4.64	4.14	3.65			

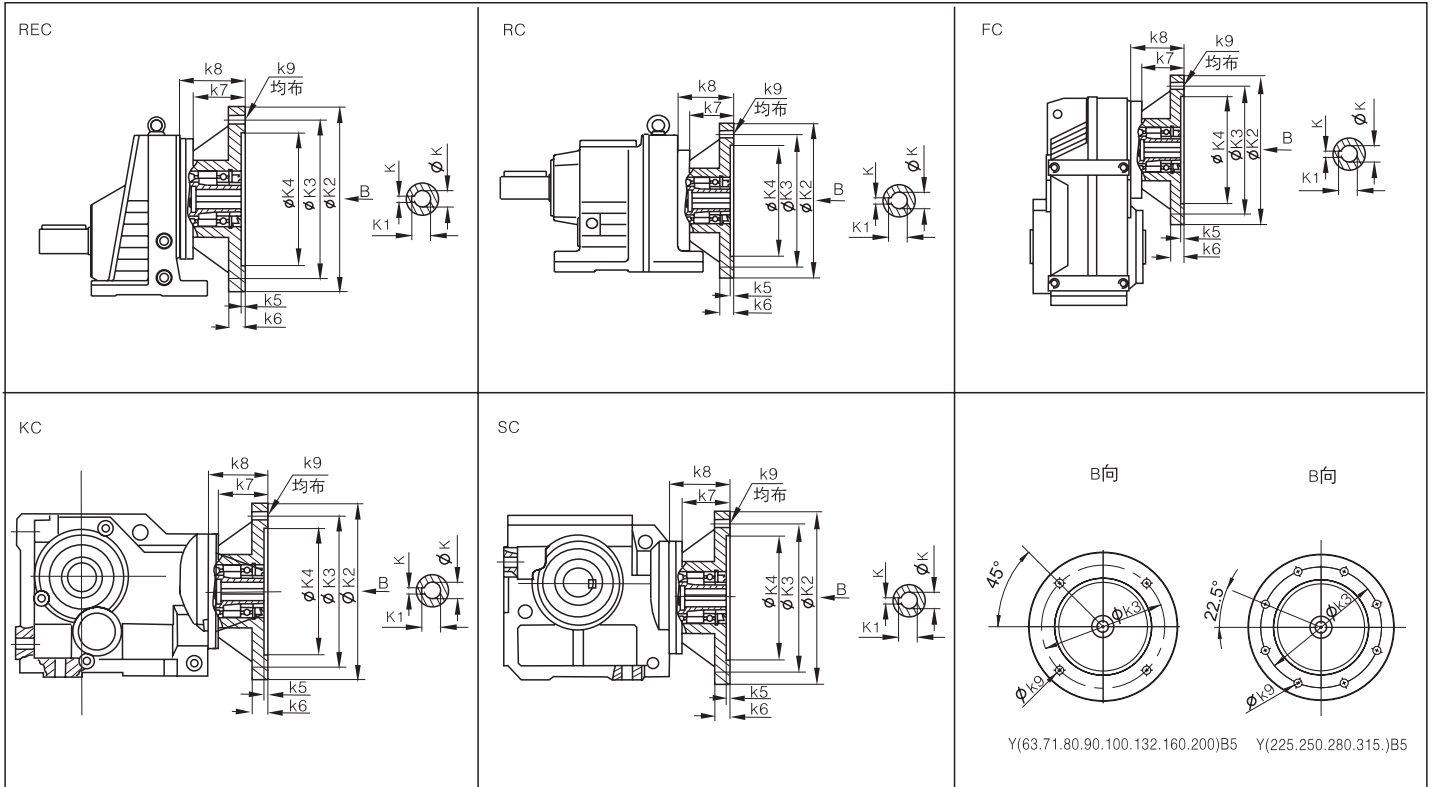
注 1、表中P1表示配置电机额定功率, n1表示减速器输入转速, n2表示减速器输出转速, T2表示减速器输出扭矩, FB表示减速器使用系数;
2、表中黑色方框内参数需配电机联接法兰. 3、RC167型减速器许用扭矩TN2为16000 N.m.

Note 1.P1 in the table denotes rated power of motor is furnished, n1 denotes input revolution of speed reducer, n2 denotes its output revolution, T2 denotes its output torque, and FB denotes its performance coefficient. 2.Parameters inside black frame of the table need to be furnished with motor connecting flange. 3.RC167 type speed reducer allowable torque TN2 is 16000N.m



REC、RC、FC、KC和SC系列减速器配电机联接法兰时的法兰外型及安装尺寸表:

Flange appearance and installation size table of REC, RC, FC, KC and SC series speed reducers furnished with electric motor connection flanges

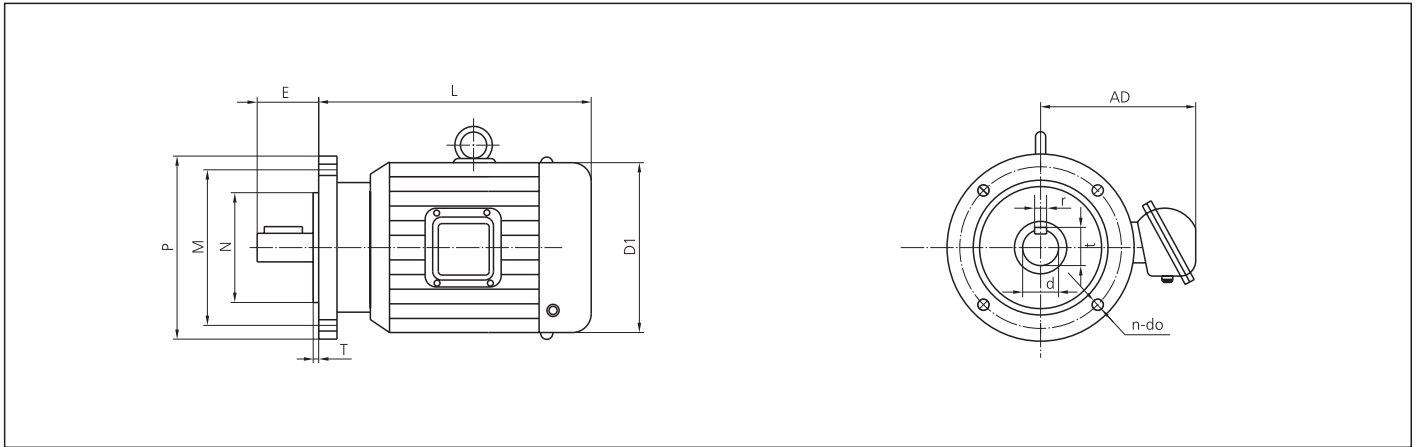


电机机座号 Motor seat No.	电机功率、极数 Motor power and poles			尺寸/Size																																																																																																																																																																																																																																											
	4P	6P	8P	φk(E7)	k	k1	k2	k3	k4(H7)	k5	k6	k7	k8	k9																																																																																																																																																																																																																																	
Y63	0.12			11	4	12.8	140	115	95	4	16	27	64	4-M8																																																																																																																																																																																																																																	
	0.18														Y71	0.25	0.18		14	5	16.3	160	130	110	4	16	33	64	4-M8	0.37	0.25		Y80	0.55	0.37	0.18	19	6	21.8	200	165	130	4	18	43	72	4-M10	0.75	0.55	0.25	Y90	1.1	0.75	0.37	24	8	27.3	200	165	130	4	18	54	72	4-M10	1.5	1.1	0.55	Y100	2.2	1.5	0.75	28	8	31.3	250	215	180	5	22	65	83	4-M12	3		1.1	Y112	4	2.2	1.5	28	8	31.3	250	215	180	5	22	65	83	4-M12				Y132	5.5	3	2.2	38	10	41.3	300	265	230	5	25	85	101	4-M12	7.5	4	3	Y160	11	7.5	4	42	12	45.3	350	300	250	6	30	115	145	4-M16			5.5	15	11	7.5	Y180	18.5			48	14	51.8	350	300	250	6	30	115	145	4-M16	22	15	11	Y200	30	18.5	15	55	16	59.3	400	350	300	6	32	115	160	4-M16		22		Y225	37		18.5	60	18	64	450	400	350	6	35	145	175	8-M16	45	30	22	Y250	55	37	30	65	18		550	500	450	6	35	145	215	8-M16				Y280	75	45	37	75	20		550	500	450	6	35	145	215	8-M16	90	55	45	Y315	110	75		80	22
Y71	0.25	0.18		14	5	16.3	160	130	110	4	16	33	64	4-M8																																																																																																																																																																																																																																	
	0.37	0.25													Y80	0.55	0.37	0.18	19	6	21.8	200	165	130	4	18	43	72	4-M10	0.75	0.55	0.25	Y90	1.1	0.75	0.37	24	8	27.3	200	165	130	4	18	54	72	4-M10	1.5	1.1	0.55	Y100	2.2	1.5	0.75	28	8	31.3	250	215	180	5	22	65	83	4-M12	3		1.1	Y112	4	2.2	1.5	28	8	31.3	250	215	180	5	22	65	83	4-M12				Y132	5.5	3	2.2	38	10	41.3	300	265	230	5	25	85	101	4-M12	7.5	4	3	Y160	11	7.5	4	42	12	45.3	350	300	250	6	30	115	145	4-M16			5.5		15	11	7.5												Y180	18.5			48	14	51.8	350	300	250	6	30	115	145	4-M16	22	15	11	Y200	30	18.5	15	55	16	59.3	400	350	300	6	32	115	160	4-M16		22		Y225	37		18.5	60	18	64	450	400	350	6	35	145	175	8-M16	45	30	22	Y250	55	37	30	65	18		550	500	450	6	35	145	215	8-M16				Y280	75	45	37	75	20		550	500	450	6	35	145	215	8-M16	90	55	45	Y315	110	75		80	22		660	600	550	7	40
Y80	0.55	0.37	0.18	19	6	21.8	200	165	130	4	18	43	72	4-M10																																																																																																																																																																																																																																	
	0.75	0.55	0.25												Y90	1.1	0.75	0.37	24	8	27.3	200	165	130	4	18	54	72	4-M10	1.5	1.1	0.55	Y100	2.2	1.5	0.75	28	8	31.3	250	215	180	5	22	65	83	4-M12	3		1.1	Y112	4	2.2	1.5	28	8	31.3	250	215	180	5	22	65	83	4-M12				Y132	5.5	3	2.2	38	10	41.3	300	265	230	5	25	85	101	4-M12	7.5	4	3	Y160	11	7.5	4	42	12	45.3	350	300	250	6	30	115	145	4-M16			5.5		15	11	7.5												Y180	18.5			48	14	51.8	350	300	250	6	30	115	145	4-M16	22	15	11	Y200	30	18.5	15	55	16	59.3	400	350	300	6	32	115	160	4-M16		22		Y225	37		18.5	60	18	64	450	400	350	6	35	145	175	8-M16	45	30	22	Y250	55	37	30	65	18		550	500	450	6	35	145	215	8-M16				Y280	75	45	37	75	20		550	500	450	6	35	145	215	8-M16	90	55	45	Y315	110	75		80	22		660	600	550	7	40	175	265	8-M20	132	90													
Y90	1.1	0.75	0.37	24	8	27.3	200	165	130	4	18	54	72	4-M10																																																																																																																																																																																																																																	
	1.5	1.1	0.55												Y100	2.2	1.5	0.75	28	8	31.3	250	215	180	5	22	65	83	4-M12	3		1.1	Y112	4	2.2	1.5	28	8	31.3	250	215	180	5	22	65	83	4-M12				Y132	5.5	3	2.2	38	10	41.3	300	265	230	5	25	85	101	4-M12	7.5	4	3	Y160	11	7.5	4	42	12	45.3	350	300	250	6	30	115	145	4-M16			5.5		15	11	7.5												Y180	18.5			48	14	51.8	350	300	250	6	30	115	145	4-M16	22	15	11	Y200	30	18.5	15	55	16	59.3	400	350	300	6	32	115	160	4-M16		22		Y225	37		18.5	60	18	64	450	400	350	6	35	145	175	8-M16	45	30	22	Y250	55	37	30	65	18		550	500	450	6	35	145	215	8-M16				Y280	75	45	37	75	20		550	500	450	6	35	145	215	8-M16	90	55	45	Y315	110	75		80	22		660	600	550	7	40	175	265	8-M20	132	90																															
Y100	2.2	1.5	0.75	28	8	31.3	250	215	180	5	22	65	83	4-M12																																																																																																																																																																																																																																	
	3		1.1												Y112	4	2.2	1.5	28	8	31.3	250	215	180	5	22	65	83	4-M12				Y132	5.5	3	2.2	38	10	41.3	300	265	230	5	25	85	101	4-M12	7.5	4	3	Y160	11	7.5	4	42	12	45.3	350	300	250	6	30	115	145	4-M16			5.5		15	11	7.5												Y180	18.5			48	14	51.8	350	300	250	6	30	115	145	4-M16	22	15	11	Y200	30	18.5	15	55	16	59.3	400	350	300	6	32	115	160	4-M16		22		Y225	37		18.5	60	18	64	450	400	350	6	35	145	175	8-M16	45	30	22	Y250	55	37	30	65	18		550	500	450	6	35	145	215	8-M16				Y280	75	45	37	75	20		550	500	450	6	35	145	215	8-M16	90	55	45	Y315	110	75		80	22		660	600	550	7	40	175	265	8-M20	132	90																																																	
Y112	4	2.2	1.5	28	8	31.3	250	215	180	5	22	65	83	4-M12																																																																																																																																																																																																																																	
															Y132	5.5	3	2.2	38	10	41.3	300	265	230	5	25	85	101	4-M12	7.5	4	3	Y160	11	7.5	4	42	12	45.3	350	300	250	6	30	115	145	4-M16			5.5		15	11	7.5												Y180	18.5			48	14	51.8	350	300	250	6	30	115	145	4-M16	22	15	11	Y200	30	18.5	15	55	16	59.3	400	350	300	6	32	115	160	4-M16		22		Y225	37		18.5	60	18	64	450	400	350	6	35	145	175	8-M16	45	30	22	Y250	55	37	30	65	18		550	500	450	6	35	145	215	8-M16				Y280	75	45	37	75	20		550	500	450	6	35	145	215	8-M16	90	55	45	Y315	110	75		80	22		660	600	550	7	40	175	265	8-M20	132	90																																																																			
Y132	5.5	3	2.2	38	10	41.3	300	265	230	5	25	85	101	4-M12																																																																																																																																																																																																																																	
	7.5	4	3												Y160	11	7.5	4	42	12	45.3	350	300	250	6	30	115	145	4-M16			5.5		15	11	7.5												Y180	18.5			48	14	51.8	350	300	250	6	30	115	145	4-M16	22	15	11	Y200	30	18.5	15	55	16	59.3	400	350	300	6	32	115	160	4-M16		22		Y225	37		18.5	60	18	64	450	400	350	6	35	145	175	8-M16	45	30	22	Y250	55	37	30	65	18		550	500	450	6	35	145	215	8-M16				Y280	75	45	37	75	20		550	500	450	6	35	145	215	8-M16	90	55	45	Y315	110	75		80	22		660	600	550	7	40	175	265	8-M20	132	90																																																																																					
Y160	11	7.5	4	42	12	45.3	350	300	250	6	30	115	145	4-M16																																																																																																																																																																																																																																	
			5.5																																																																																																																																																																																																																																												
	15	11	7.5																																																																																																																																																																																																																																												
Y180	18.5			48	14	51.8	350	300	250	6	30	115	145	4-M16																																																																																																																																																																																																																																	
	22	15	11																																																																																																																																																																																																																																												
Y200	30	18.5	15	55	16	59.3	400	350	300	6	32	115	160	4-M16																																																																																																																																																																																																																																	
		22																																																																																																																																																																																																																																													
Y225	37		18.5	60	18	64	450	400	350	6	35	145	175	8-M16																																																																																																																																																																																																																																	
	45	30	22																																																																																																																																																																																																																																												
Y250	55	37	30	65	18		550	500	450	6	35	145	215	8-M16																																																																																																																																																																																																																																	
Y280	75	45	37	75	20		550	500	450	6	35	145	215	8-M16																																																																																																																																																																																																																																	
	90	55	45																																																																																																																																																																																																																																												
Y315	110	75		80	22		660	600	550	7	40	175	265	8-M20																																																																																																																																																																																																																																	
	132	90																																																																																																																																																																																																																																													

注 其它外形和安装尺寸请参见样本各系列外形及安装尺寸图和尺寸表。
 Note Please refer to appearance and installation size diagram and table of all series inside the catalogue for other appearance and installation sizes.



标准电机(B5)外形和安装尺寸 Appearance and Installation Size of Standard Electric Motor (B5)

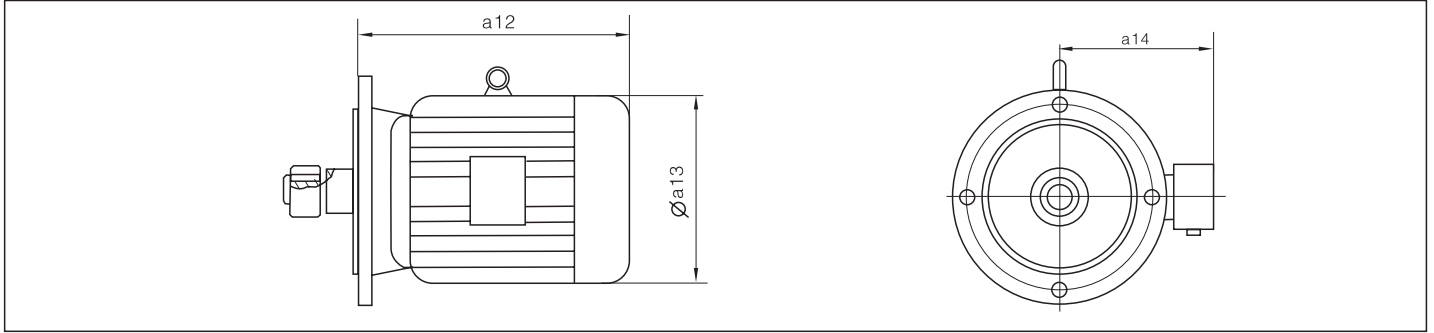


电机 motor	电机功率、极数 motor power and poles			尺 寸 Size															
	4P	6P	8P	M	N (JS6)	P	T	n-do	d	E	r	t	D1	AD	L				
Y56	0.09 0.12			100	80	120	3	4 × 9	9j6	20	3	11.2	115	90	190				
Y63	0.12 0.18			115	95	140	3	4 × 10	11j6	23	4	12.5	130	70	217				
Y71	0.25 0.37	0.18 0.25		130	110	160	3.5	4 × 10	14j6	30	5	16	145	80	225				
Y80	0.55 0.75	0.37 0.55	0.18 0.25	165	130	200	3.5	4 × 12	19j6	40	6	21.5	165	150	225				
90S	1.1	0.75	0.37	165	130	200	3.5	4 × 12	24j6	50	8	27	175	155	270				
90L	1.5	1.1	0.55	165	130	200	3.5	4 × 12	24j6	50	8	27	175	155	295				
100L1	2.2	1.5	0.75	215	180	250	4	4 × 15	28j6	60	8	31	215	180	325				
100L2	3.0		1.1	215	180	250	4	4 × 15	28j6	60	8	31	215	180	325				
112M	4.0	2.2	1.5	215	180	250	4	4 × 15	28j6	60	8	31	240	190	345				
132S	5.5	3.0	2.2	265	230	300	4	4 × 15	38K6	80	10	41	275	210	390				
132M	7.5	4.0 5.5	3.0	265	230	300	4	4 × 15	38K6	80	10	41	275	210	410				
160M	11	7.5	4.0 5.5	300	250	350	5	4 × 19	42K6	110	12	46	330	255	505				
160L	15	11	7.5	300	250	350	5	4 × 19	42K6	110	12	46	330	255	505				
180M	18.5			300	250	350	5	4 × 19	48K6	110	14	51.5	380	280	590				
180L	22	15	11	300	250	350	5	4 × 19	48K6	110	14	51.5	380	280	630				
200L	30	18.5 22	15	350	300	400	5	4 × 19	55M6	110	16	59	420	305	660				
225S	37		18.5	400	350	450	5	4 × 19	60m6	140	18	64	450	345	680				
225M	45	30	22	400	350	450	5	8 × 19	55m6	60m6	110	140	16	18	59	64	450	345	705
250M	55	37	30	500	450	550	5	8 × 19	60m6	65m6	140	18	18	64	69	510	370	770	
280S	75	45	37	500	450	550	5	8 × 19	65m6	75m6	140	18	20	70	80	580	410	845	
280M	90	55	45	500	450	550	5	8 × 19	65m6	75m6	140	18	20	70	80	580	410	895	
315S	110	75		600	550	660	6	8 × 24	65m6	80m6	140	170	18	22	70	87	645	530	1020 1130
315M	132	90		600	550	660	6	8 × 24	65m6	80m6	140	170	18	22	70	87	645	530	1050 1160



REC、RC、FC、KC、SC系列齿轮减速器配直联电机外型尺寸:

Appearance and Dimension of REC、RC、FC、KC、SC series Gear Speed Reducer Furnished With Direct Connection Motor.

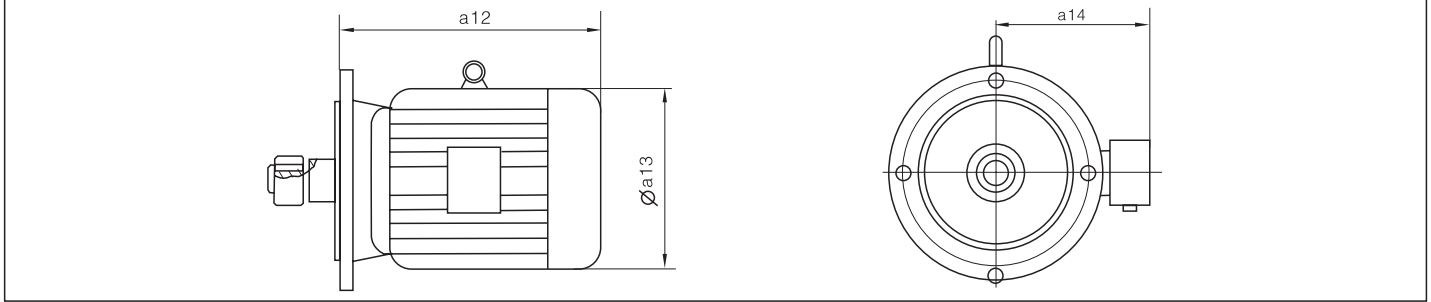


电机机座号 Motor baseframe type	电机功率、极数 Motor power and poles			减速器型号 Models of Speed Reducers	尺寸(mm) Size		
	4P	6P	8P		a12	a13	a14
Y71	0.25 0.37	0.18 0.25		REC(31、41、61) RC(37、47、57、67) FC(37、47、57、67) KC(37、47、57、67) SC(37、47、57、67)	245	145	80
				REC71、RC77、FC77、KC77、SC77	233		
Y80	0.55 0.75	0.37 0.55	0.18 0.25	REC(31、41、61、71) RC(37、47、57、67、77) FC(37、47、57、67、77) KC(37、47、57、67、77) SC(37、47、57、67、77)	278	165	150
				REC(81、91) RC(87、97) FC(87、97、107) KC(87、97) SC(87、97)	246		
Y90S	1.1	0.75	0.37	REC(31、41、61、71) RC(37、47、57、67、77) FC(37、47、57、67、77) KC(37、47、57、67、77) SC(37、47、57、67、77)	304	175	155
				REC(81、91)RC(87、97) FC(87、97、107)KC(87、97) SC(87、97)	280		
Y90L	1.5	1.1	0.55	REC(31、41、61、71) RC(37、47、57、67、77) FC(37、47、57、67、77) KC(37、47、57、67、77) SC(37、47、57、67、77)	328	175	155
				REC(81、91) RC(87、97) FC(87、97、107) KC(87、97) SC(87、97)	304		
Y100	2.2 3	1.5	0.75 1.1	REC31、RC37、FC37、FC47、KC37、SC37、SC47	340	215	180
				REC(41、61、71、81) RC(47、57、67、77、87) FC(57、67、77、87) KC(47、57、67、77、87) SC(57、67、77、87)	328	215	180
Y112	4	2.2	1.5	REC(41、61、71、81) RC(47、57、67、77、87) FC(57、67、77、87) KC(47、57、67、77、87) SC(57、67、77、87)	380	240	190
				REC91、REC101、RC97、RC107 KC(97、107) SC97	334		
Y132S	5.5	3	2.2	REC(41、61、71、81、91) RC(47、57、67、77、87、97) FC(57、67、77、87、97、107) KC(47、57、67、77、87、97) SC(57、67、77、87、97)	425	275	210
				REC101、RC107、FC127、KC107	386		
				RC(137、147) FC157 KC(137、147)	388		
Y132M	7.5	4 5.5	3	REC(41、61、71、81、91) RC(47、57、67、77、87、97) FC(57、67、77、87、97、107) KC(47、57、67、77、87、97) SC(57、67、77、87、97)	461	275	210
				REC101、RC107、FC127、KC107	422		
				RC137、RC147、FC157、KC127	424		



REC、RC、FC、KC、SC系列齿轮减速器配直联电机外型尺寸:

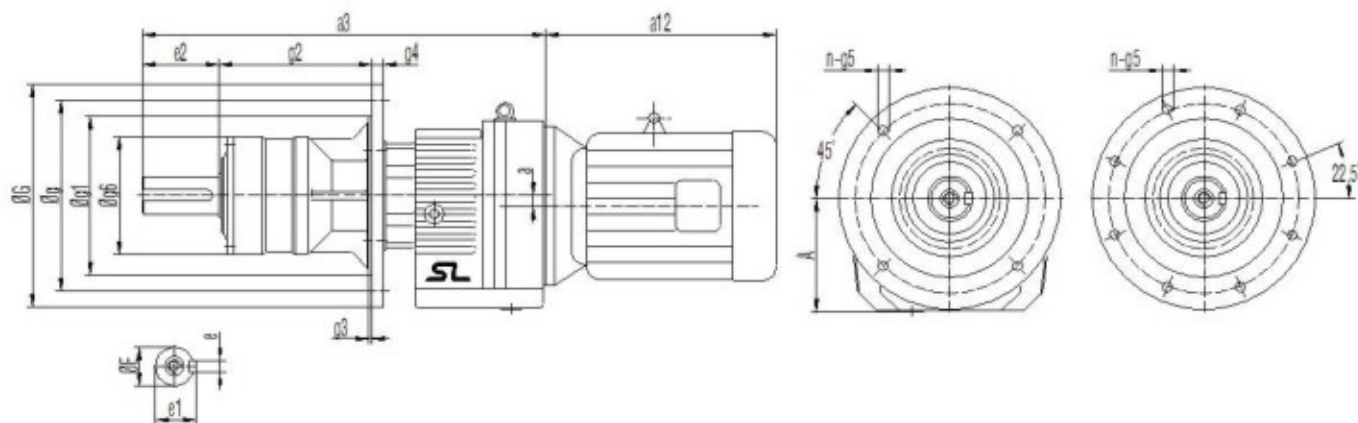
Appearance and Dimension of REC、RC、FC、KC、SC series Gear Speed Reducer Furnished With Direct Connection Motor.



电机机座号 Motor baseframe type	电机功率、极数(kW) Motor power and poles			减速器型号 Models of Speed Reducers	尺寸(mm) Size		
	4P	6P	8P		a12	a13	a14
Y160M	11	7.5	4 5.5	REC(71、81、91)RC(77、87、97) FC(77、87、97、107)KC(77、87、97) SC(77、87、97)	524	330	255
				REC101、RC107、FC127、KC107	504		
				RC(137、147、167)FC(157、167) KC(127、157、167)	567		
Y160L	15	11	7.5	REC(71、81、91)RC(77、87、97) FC(77、87、97、107)KC(77、87、97) SC(77、87、97)	547	330	255
				REC101、RC107、FC127、KC107	519		
				RC(137、147、167)KC(127、157、167) FC157	602		
Y180M	18.5			REC81、RC87、FC87、KC87、SC87	583	380	280
				REC(91、101)RC(97、107) FC(97、107、127)KC(97、107) SC97	555		
				RC137、RC147、KC127、FC157	583		
				RC167、KC157、KC167	635		
Y180L	22	15	11	REC81、RC87、FC87、KC87、SC87	616	380	280
				REC(91、101)RC(97、107) FC(97、107、127)KC(97、107) SC97	588		
				RC137、RC147、KC127、FC157	616		
				RC167、KC157、KC167	666		
Y200L	30	18.5 22	15	REC(91、101)RC(97、107) FC(97、107、127)KC(97、107) SC97	654	420	305
				RC137、RC147、KC127、FC157	654		
				RC167、KC157、KC167	642		
Y225S	37		18.5	REC101、RC107、FC127、KC107	680	450	345
				RC137、RC147、KC127、FC157	674		
				RC167、KC157、KC167	669		
Y225M	45	30	22	REC101、RC107、FC127、KC107	702	450	345
				RC137、RC147、KC127、FC157	696		
				RC167、KC157、KC167	691		
Y250M	55	37	30	RC137、RC147、KC127、FC157	775	510	370
				RC167、KC157、KC167	770		
Y280S	75	45	37	RC167、KC157、KC167	828	580	410
Y280M	90	55	45	RC167、KC157、KC167	879	580	410
Y315S	110	75	55	RC187、KC187	1100	645	530
Y315M	132	90	75	RC187、KC187	1180	645	530
Y315L1	160	110	90	RC187、KC187	1270	645	530
Y315L2	200	132	110	RC187、KC188	1270	645	530



RCM系列外型及安装尺寸图和尺寸表
RCM series appearance and installation size diagram and table.



机型类别 /Size	尺寸代号 /Size code	机型号/Type								
		RCM67	RCM77	RCM87	RCM97	RCM107	RCM137	RCM147	RCM167	
RCM 搅拌式/ RCM Pug mill	position	G	300	350	350	450	550	550	660	660
	g	265	300	300	400	500	500	600	600	
	g1	230	250	250	350	450	450	550	550	
	g2	160	200	240	280	330	390	450	520	
	g3	4	5	5	5	5	5	6	6	
	g4	16	18	18	22	25	25	28	28	
	n	4	4	4	8	8	8	8	8	
	g5	13.5	17.5	17.5	17.5	17.5	17.5	22	22	
	g6	144	170	186	214	232	253	274	290	
	E	40	50	60	70	80	100	110	125	
	e	10	12	14	18	20	25	28	32	
	e1	38	43	53.5	64	74.5	95	116	127	
	e2	80	100	120	140	170	210	210	210	
	a3	459	527	633	745	864	1024	1154	1313	
	A	130	140	180	225	250	315	355	425	
	a	19.5	10	17	11	24.5	35	41	63	

RCM系列输出轴轴向力Fa(N)表/RCM series output shaft axial force Fr2(N) table

Fa(N)	型号/Type	n2(r/min)							
		< 16	16-25	26-40	41-60	61-100	101-160	161-250	251-400
	RCM67	17380	13200	10540	8065	3140	4906	3806	3225
	RCM77	22000	16940	13090	9977	7335	5810	4410	4070
	RCM87	28290	22080	16445	12190	9419	7015	6313	5589
	RCM97	34080	26400	19440	13920	10620	8210	6995	5712
	RCM107	38760	29760	21360	15600	11736	9804	7140	6744
	RCW137	70000	65890	52800	41690	37180	34870	28160	25630
	RCM147	70000	66660	50490	43890	36850	30690	26510	24860
	RCM167	70000	68580	55728	40824	28944	25488		

RCM系列输出轴径向力Fr2(N)表/RCM series output shaft radia force Fr2(N) table

Fr2(N)	型号/Type	X(mm)						
		500	1000	2000	3000	4000	5000	
	RCM67	1100	580	290				
	RCM77	2290	1200	600	400			
	RCM87	3700	1950	1000	670	510		
	RCM97	5670	3000	1540	1035	780	620	
	RCM107	7940	4230	2180	1470	1100	890	
	RCW137	13800	7500	3900	2640	2000	1600	
	RCM147	20000	11000	5700	3880	2930	2300	
	RCM167	27000	14600	7600	5100	3880	3100	

备注: 各规格更低的输出转速按以上最大的Fr2值

Notes: If there is lower output speed, please choose the maximum Fr2 in above table.

