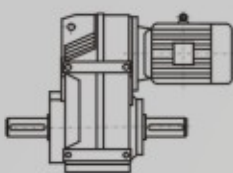


FC

系列平行轴斜齿减速器

Series parallel shaft helical Gearmotor



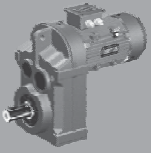
FCW...Y...2Z



FCN...Y...K



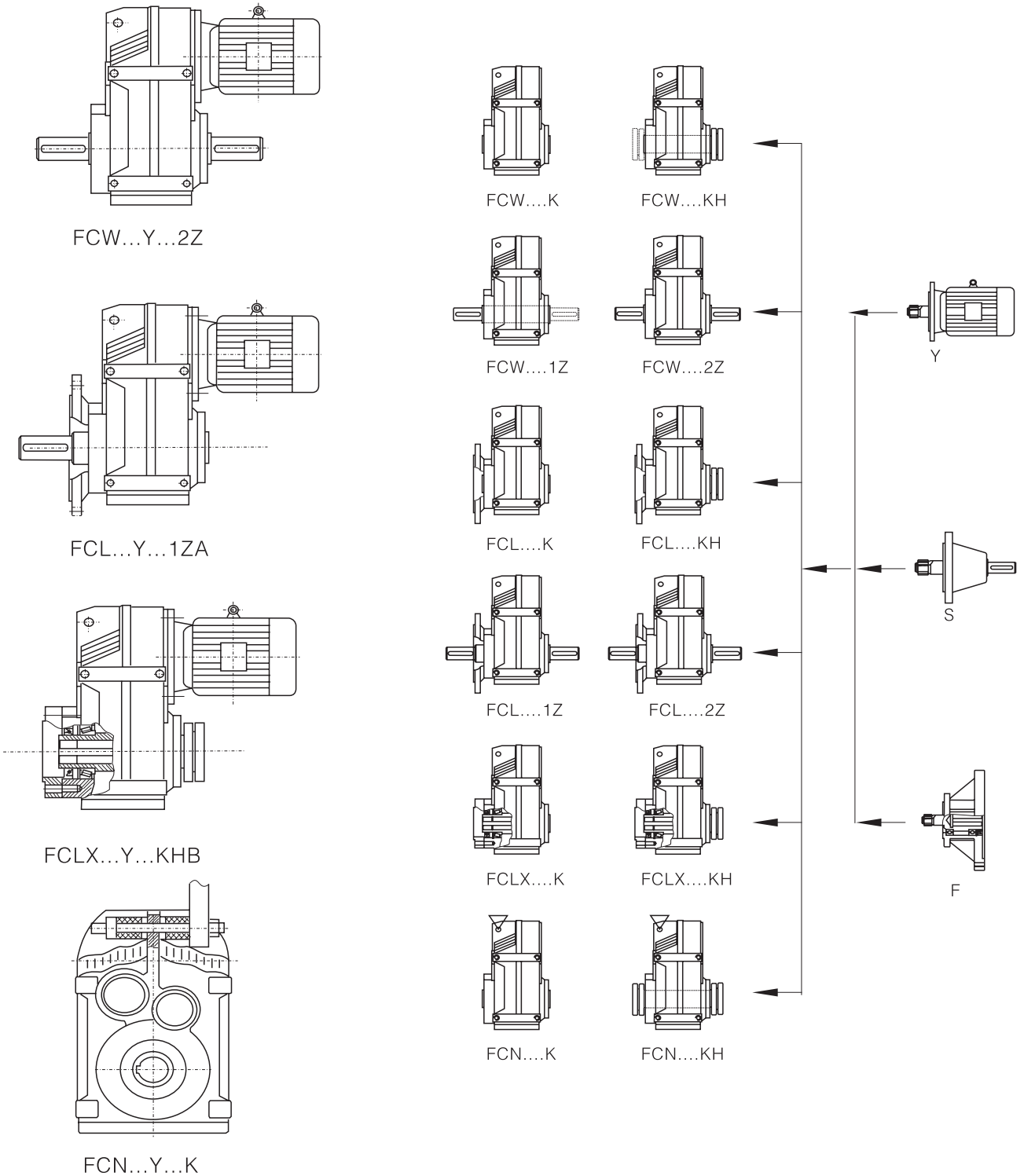
SLCD



FC系列平行轴斜齿减速器
FC series parallel shaft Helical Gear motor

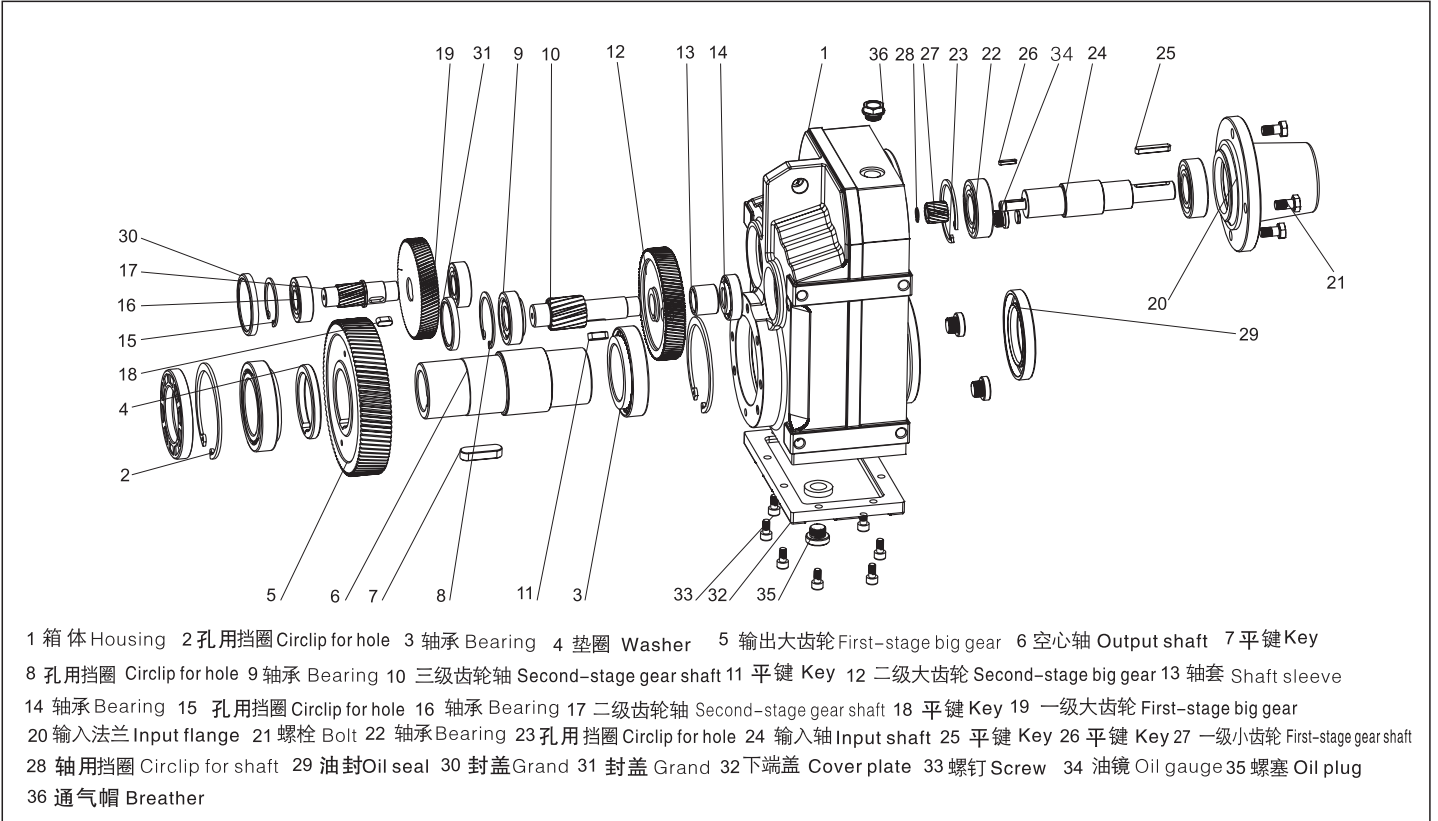


FC系列平行轴斜齿减速器
FC series parallel shaft Helical Gear motor





FC系列结构图:/FC series structure drawing:



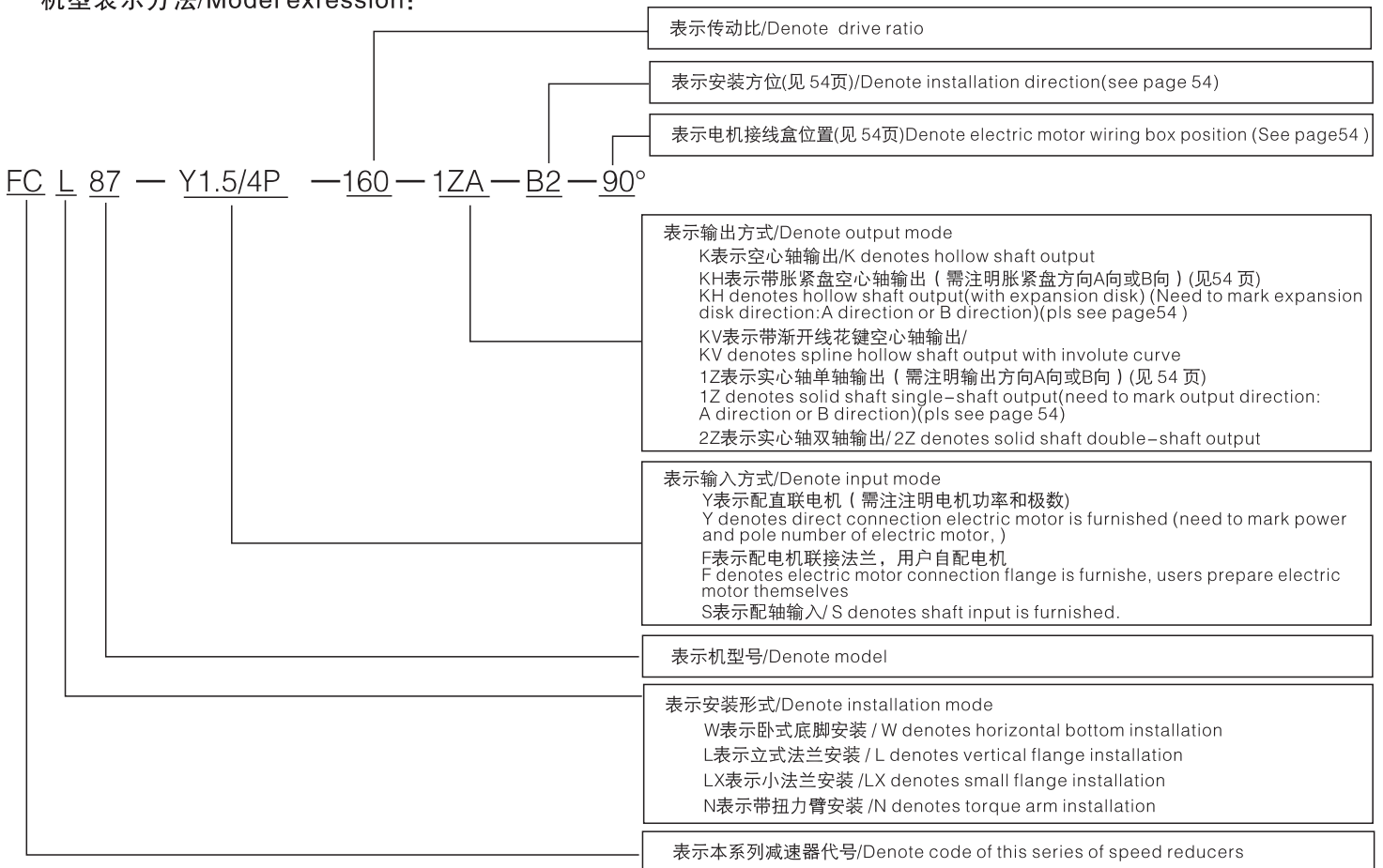
FC系列平行轴斜齿轮减速器型号规格及机型表示方法:

本系列减速器的型号规格有:FC(37、47、57、67、77、87、97、107、127、157)等10种, 减速比有4.07~205等多种速比, 可分别配置0.18~132KW。

Type, specification and model notation for FC series parallel shaft bevel gear speed reducers.:

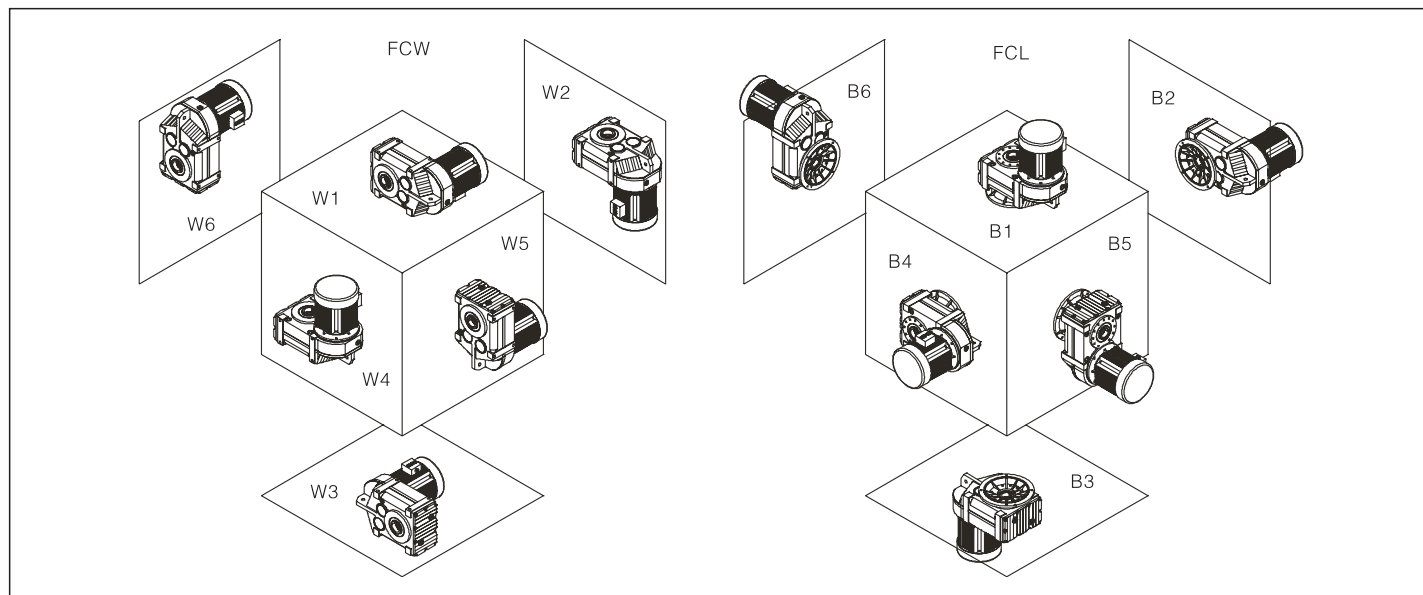
Types, specifications of this series speed reducer have 10 kinds including RC 37、47、57、67、77、87、97、107、127、157 etc, speed reducing ratio:4.07~205, which can be allocated to 0.18~132kW.

机型表示方法/Model expression:

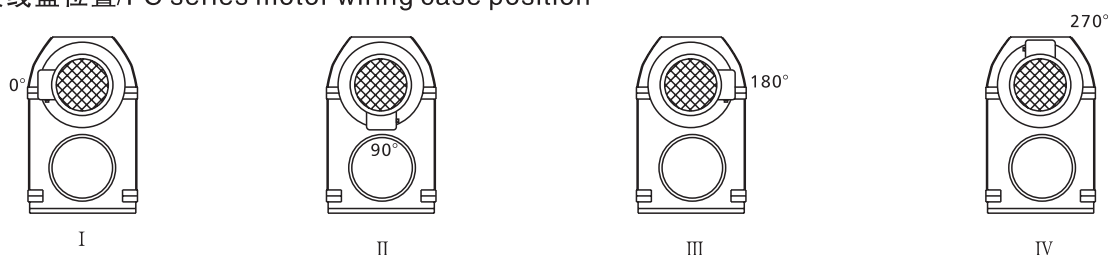




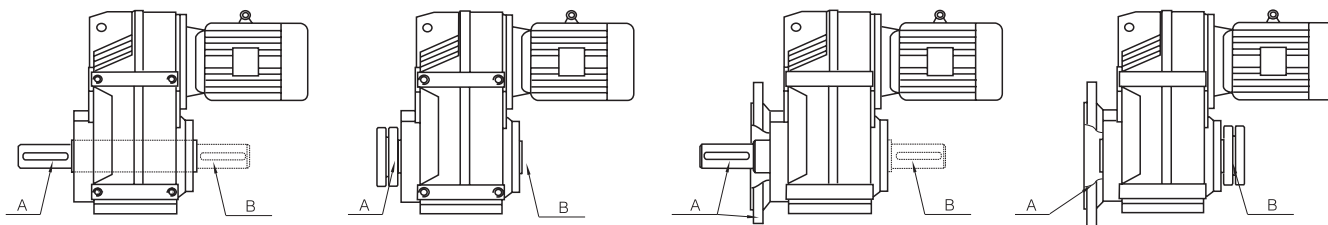
FC系列安装方位图/ FC series installation direction diagram



FC系列电机接线盒位置/FC series motor wiring case position



FC系列输出方向/FC series output direction



FC系列油量表(单位L) / FC series oil capacity table (Unit:L)

安装方位 油量表 Oil capacity(L) 机型号 Type	B2、W6	B3、W2	B4、W5	B1、W4	B5、W1	B6、W3
FC37	1.1	1.3	0.8	1.4	1.1	1.2
FC47	1.7	2.1	1.2	2	1.5	2
FC57	2.6	3.9	2.2	3.9	3	3.2
FC67	2.9	4	2	3.9	3	3.5
FC77	5.2	7.5	4.5	8.2	6.5	6.5
FC87	10.5	13.5	7.9	14.5	11.5	12
FC97	19	22.5	12.7	26	19	21
FC107	26.5	33	20	39	28	29
FC127	42	57	34.5	65	47	50
FC157	72.5	108	65	108	88	80

FC系列重量表 / FC SERIES WEIGHT TABLE

机型号/Type	FC37	FC47	FC57	FC67	FC77	FC87	FC97	FC107	FC127	FC157
重量kg/Weight kg	13	16.5	27	31	55	100	170	260	400	700

注：表中重量为不加油时重量，带输入轴、输入法兰另加10%；带电机根据所配规格另加。

Note: Weight in the table means the weight when oil is not added. When input shaft is furnished, 10% weight should be added; If there is a motor, please add weight according to motor type.



FC系列外型及安装尺寸图和尺寸表 / FC Series Appearance And Installation Size Diagram And Table

输入/输出方式 Input/output mode	电机直联空心轴输出 Motor direct connection hollow shaft output	轴输入带胀紧盘空心轴输出 Shaft input with expansion disk hollow shaft output	实心轴输出 solid shaft shaft output
安装方式 Installation mode	FCW...Y..K	FCW...S..KH	FCW...1Z
FCW卧式底脚安装 FCW horizontal installation (with bottom)			
FCL立式法兰安装 FCL vertical flange installation size	FCL...Y..K	FCL...S..KH	FCL...1Z
FCN扭力臂安装 FCN torque arm installation	FCN...Y..K	FCN...S..KH	
FCLX小法兰安装 FCLX small flange installation	FCLX...Y..K	FCLX...S..KH	
空心轴尺寸 Hollow shaft dimension	输出轴尺寸 Soft shaft dimension		带渐开线花键空心轴尺寸 With dimension of involute spline hollow shaft
	输入轴尺寸 Input shaft size		带胀紧盘空心轴尺寸 With dimension of expansion disk hollow shaft



尺寸部位 Size position	尺寸代号 Size code	机型号/Type									
		FC37	FC47	FC57	FC67	FC77	FC87	FC97	FC107	FC127	FC157
外型尺寸 Appearance size	A	70	80	100	100	120	155	180	200	240	285
	a	112	128.1	142.7	159.5	200	246.7	285	332.4	382.6	447
	a1	95	109	127	131	165	195	240	260	316	364
	a3	111	134.5	150	160	192	220.5	272	311.5	369	443
	a4	135	159.5	172	183	232	250.5	313.5	352.5	420	475
	a8	245	270	325	345	420	530	625	710	855	1025
	a11	165	180	210	212	270	330	400	450	530	660
	a12 a13	详见末页电机一览表(见280页)Please see motor summary table on last page for deials. (See page280)									
轴输入尺寸 Input shaft size	ΦB	16k6	19k6	19k6	19k6	24k6	28k6	38k6	42k6	55m6	70m6
	b	5	6	6	6	8	8	10	12	16	20
	b1	18	21.5	21.5	21.5	27	31	41	45	59	74.5
	b2	40	40	40	40	50	60	80	110	110	140
	b3	115	115	120	120	140	180	220	270	297	374
空心轴输出尺寸 hollow shaft output size	ΦC(h7)	30	35	40	40	50	60	70	90	100	120
	C	8	10	12	12	14	18	20	25	28	32
	C1	33.3	38.3	43.3	43.3	53.8	64.4	74.9	95.4	106.4	127.4
	C2	120	150	166	180	210	240	300	350	410	500
	C3	15	18	24	24	27	30	30	37	37	40
带渐开浅花键空心轴输出尺寸 spline hollow shaft output size with involute curve size	C4	Z22 × m1.25 × 30P × 6H	Z16 × m2 × 30P × 6H	Z16 × m2 × 30P × 6H	Z21 × m2 × 30P × 6H	Z24 × m2 × 30P × 6H	Z31 × m2 × 30P × 6H	Z34 × m2 × 30P × 6H	Z27 × m3 × 30P × 6H		
	C5	4	3	3	4	5	6	6	5		
	C6(h6)	13.183	15.093	15.093	21	26.721	32.814	33.093	40.5		
	ΦC7(H10)	37	37	37	47	55	72	72	90		
	C8	18	18	18	18	23	25	25	26		
	C9	25	32	32	42	52	62	72	89		
带胀紧盘空心轴输出尺寸 hollow shaft output size with expansion disk	ΦD	45	50	55	55	70	85	95	120	140	160
	Φd(H7)	30	35	40	40	50	65	75	95	105	125
	Φd1(H7)	30	35	40	40	50	65	75	95	105	125
	d2	146	177	195	208	241	281	345	405	485	580
	d3	20	20	20	20	30	40	50	60	70	80
d4	31	32	38	38	36	41	55	65	85	90	
实心轴输出尺寸 solid shaft output size	ΦE	25k6	35k6	35k6	40k6	50k6	60m6	70m6	90m6	100m6	120m6
	e	8	10	10	12	14	18	20	25	28	32
	e1	28	38	38	43	53.5	64	74.5	95	106	127
	e2	50	60	70	80	100	120	140	170	210	210
	e3	220	270	306	340	410	480	580	690	830	920
e4	194	235	258	283	350	390	481.5	561	671	770	
卧式底脚安装尺寸 horizontal installation size (with bottom)	F	77	93	102	112	140	165	205	220	270	310
	f	31	43	55	60	70	100	120	125	142	170
	f1	115	145	170	190	240	310	350	400	450	540
	f2	21.5	29	33.5	36	35	38	47.5	69	70	103
	f3	71.5	89	103.5	116	135	158	187.5	239	280	313
	f4	8~M8	8~M10	8~M12	8~M12	8~M16	8~M16	8~M20	8~M24	8~M30	8~M36
f5	15	20	20	20	30	32	35	40	50	60	
立式法兰安装尺寸 vertical flange installation size	ΦG	160	200	250	250	300	350	450	450	550	660
	Φg	130	165	215	215	265	300	400	400	500	600
	Φg1(h7)	110	130	180	180	230	250	350	350	450	550
	g2	24	25	22	23	40	30	41.5	41	51	60
	g3	3.5	3.5	4	4	4	5	5	5	5	6
	g4	10	12	15	15	16	18	22	22	25	28
g5	4~Φ9	4~Φ11	4~Φ13.5	4~Φ13.5	4~Φ13.5	4~Φ17.5	8~Φ17.5	8~Φ17.5	8~Φ17.5	8~Φ22	
小法兰安装尺寸 small flange installation size	ΦH	110	120	155	155	170	215	260	304	350	400
	Φh	94	102	125	125	142	178	220	260	300	340
	Φh1(h7)	80	80	105	105	125	155	180	210	250	290
	h2	9	9	9	10	12	13	16	20	0	14
	h3	3	3	3.5	3.5	3.5	4	4	4	5	5
	h4	11	11	12	12	14	15	18	20	30	30.5
	h5	5~Φ9	8~Φ9	6~Φ13.5	6~Φ13.5	8~Φ13.5	6~Φ17.5	8~Φ17.5	8~Φ22	11~Φ22	10~Φ26
	h6	5~M8	8~M8	6~M12	6~M12	8~M12	6~M16	8~M16	8~M20	11~M20	10~M24
h7	14	14	17	20	20	26	26	32	32	36	
扭力臂安装尺寸 torque arm installation size	H	158	170	199	218	278	346	395	485	550	660
	T	31.5	31	41.5	41	50	62	70	88	110	150
	Φd	14	14	14	14	22	22	26	26	33	33
	t	12	14	14	16	20	26	30	36	40	45

*注: 配电机联接法兰请见样本第 100 页。 / Note: Please see page 100 of catalogue if motor connecting flange is furnished.



FC系列传动能力表: FC series drive capacity table:

参数代号 Parameter code	FC37传动能力选型参数表 / FC 37 series of transmission power parameter form																																			
	is精确传动比/Exact ratio is																																			
P1	T2 (N.m)	4.07	4.85	5.57	6.14	7.14	7.95	8.57	10.22	11.73	12.92	15.03	16.73	18.75	19.90	24.13	26.87	33.11	36.96	41.44	46.74	53.10	60.93	68.01	76.26	86.01	97.71	104.5	120.4	140.6						
	FB	3	4	4	5	5	6	7	8	8	9	10	11	13	14	15	18	20	25	27	31	35	39	45	51	57	64	73	78	89	104					
0.12kW 4P	T2 (N.m)	34.19	31.31	28.39	28.85	25.69	27.06	25.84	22.90	21.57	19.59	16.84	15.12	13.49	12.71	8.39	8.04	7.65	6.84	6.10	5.41	4.77	4.15	3.72	3.32	2.94	2.59	2.42	2.10	1.80						
	FB	5	6	6	7	8	9	10	12	13	15	17	19	21	23	28	31	40	44	50	56	67	70	78	87	98	111	119	137	160						
0.18kW 4P	T2 (N.m)	22.80	20.87	18.93	19.24	17.13	18.04	17.23	15.27	14.38	13.06	11.22	10.08	8.99	8.48	5.60	5.36	5.10	4.56	4.07	3.61	3.18	2.77	2.48	2.21	1.96	1.73	1.62	1.40	1.20						
	FB	6	8	9	10	11	13	14	16	19	21	24	27	30	32	40	45	55	62	69	78	88	97	107	121	136	155	165	186	218						
0.25kW 4P	T2 (N.m)	16.41	15.03	13.63	13.85	12.33	12.99	12.40	10.99	10.35	9.40	8.08	7.26	6.48	6.10	4.03	3.86	3.67	3.29	2.93	2.60	2.29	1.99	1.79	1.59	1.41	1.24	1.16	1.01	0.86						
	FB	10	11	13	14	17	19	20	24	28	30	36	41	46	49	59	66	82	91	102	115	130	143	159	178	197	224									
0.37kW 4P	T2 (N.m)	11.09	10.05	9.21	9.36	8.33	8.78	8.38	7.43	7.00	6.35	5.46	4.90	4.38	4.12	2.72	2.61	2.48	2.22	1.98	1.76	1.55	1.35	1.21	1.08	0.95	0.84									
	FB	14	17	19	21	25	28	31	36	43	48	55	62	69	73	89	99	121	135	152	171	181	207	232												
0.55kW 4P	T2 (N.m)	7.46	6.83	6.19	6.30	5.61	5.90	5.64	5.00	4.71	4.27	3.67	3.30	2.94	2.77	1.83	1.75	1.67	1.49	1.33	1.18	1.04	0.91	0.81												
	FB	19	23	27	29	34	38	43	51	59	65	75	84	95	100	120	134	165	172	192	217															
0.75kW 4P	T2 (N.m)	5.47	5.01	4.54	4.62	4.11	4.33	4.13	3.66	3.45	3.13	2.69	2.42	2.16	2.03	1.34	1.29	1.22	1.10	0.98	0.87															
	FB	28	34	39	46	53	59	63	75	86	95	110	122	137	146	177	183	225																		
1.1kW 4P	T2 (N.m)	3.73	3.42	3.10	3.15	2.80	2.95	2.82	2.50	2.35	2.14	1.84	1.65	1.47	1.39	0.92	0.88	0.83																		
	FB	41	49	54	62	73	81	86	102	117	129	150	167	178	189																					
1.5kW 4P	T2 (N.m)	2.74	2.5	2.27	2.31	2.06	2.16	2.07	1.83	1.73	1.57	1.35	1.21	1.08	1.02																					
	FB	61	72	79	92	106	118	126	150	172	180	209	233																							
2.2kW 4P	T2 (N.m)	1.87	1.71	1.55	1.57	1.4	1.48	1.41	1.25	1.18	1.07	0.92	0.82																							
	FB	77	92	106	116	135	151	163	194	222																										
3kW 4P	T2 (N.m)	1.37	1.25	1.14	1.15	1.03	1.08	1.03	0.92	0.86																										
	FB																																			
0.18kW 6P	T2 (N.m)																																			
	FB																																			
0.37kW 6P	T2 (N.m)																																			
	FB																																			
0.75kW 6P	T2 (N.m)																																			
	FB																																			
1.5kW 6P	T2 (N.m)																																			
	FB																																			
4P n1=1450rpm	n2 (rpm)	356	299	260	236	203	182	169	142	124	112	96.5	86.7	77.3	72.9	60.1	54.0	43.8	39.2	35.0	31.0	27.3	23.8	21.3	19.0	16.9	14.8	13.9	12.0	10.3						
	n2 (rpm)	236	198	172	156	134	121	112	93.9	81.8	74.3	63.9	57.4	51.2	48.2	39.8	35.7	29.0	26.0	23.2	20.5	18.1	15.8	14.1	12.6	11.2	9.82	9.19	7.97	6.83						

注 1、表中P1表示配置电机额定功率, n1表示减速器输入转速, n2表示减速器输出转速, T2表示减速器输出扭矩, FB表示减速器使用系数;
2、表中黑色方框内参数需配电机联接法兰; 3、FC37型减速器许用扭矩TN2为180 N.m。

Note 1.P1 in the table denotes rated power of motor is furnished, n1 denotes input revolution of speed reducer, n2 denotes its output revolution, T2 denotes its output torque, and FB denotes its performance coefficient. 2.Parameters inside black frame of the table need to be furnished with motor connecting flange.
3.FC37 type speed reducer allowable torque TN2 is 180N.m



FC157传动能力选型参数表/FC 157 series of transmission power parameter form

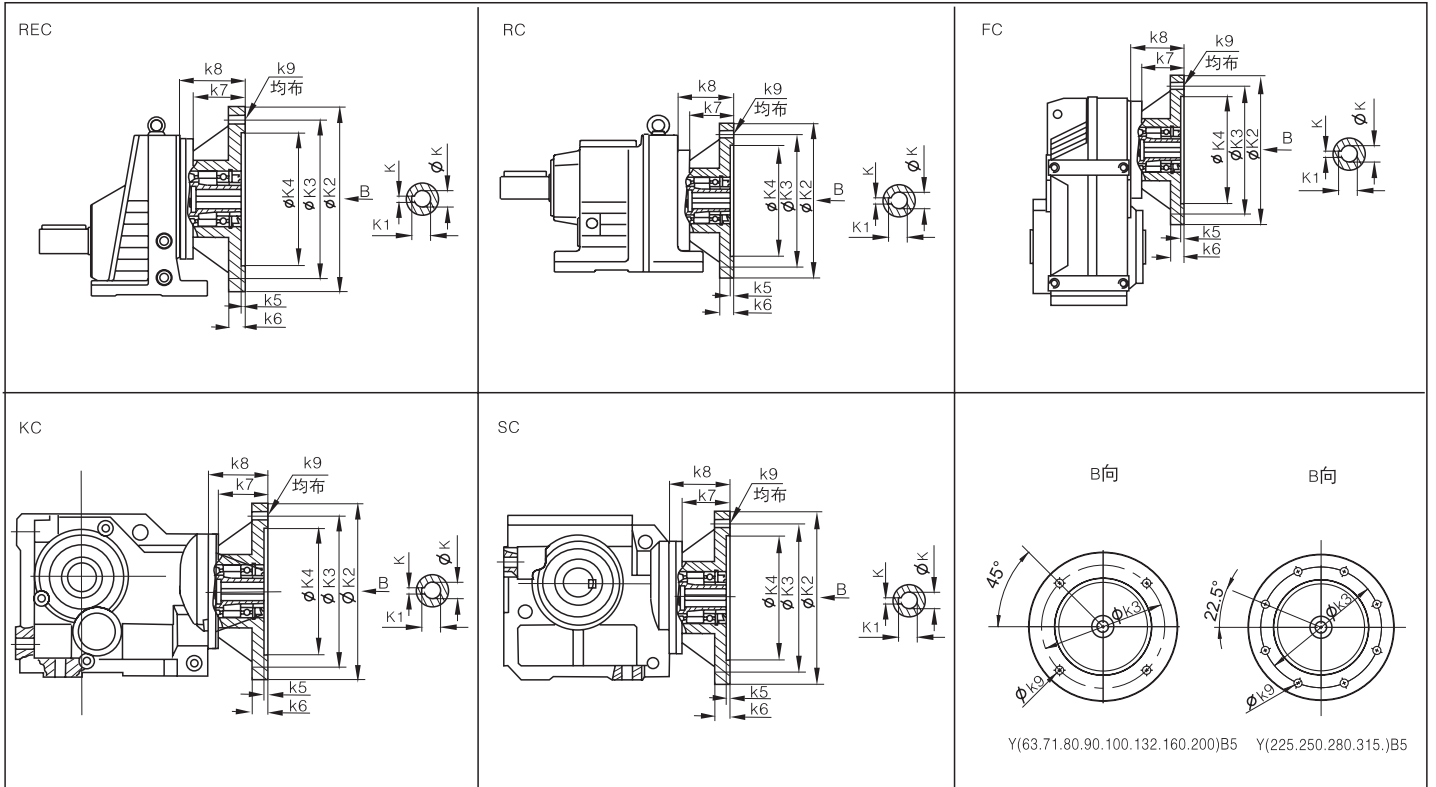
is精确传动比/Exact ratio is

参数代号 Parameter code	is精确传动比/Exact ratio is																																							
	9.10	10.94	12.66	14.01	15.59	17.36	19.20	21.36	25.41	27.97	33.71	37.65	43.37	48.24	53.96	59.90	66.90	77.07	85.72	95.88	108.0	117.5	139.8	157.6	172.7	190.4	211.5	237.0	268.6											
4kW 4P																								3461	3903	4277	4715	5238	5870	6651										
5.5kW 4P																								4.89	4.34	3.96	3.59	3.22	2.84	2.47										
7.5kW 4P																								3676	4000	4759	5366	5880	6483	7202	8071	9145								
11kW 4P																								4.60	4.23	3.56	3.15	2.88	2.61	2.34	2.06	1.79								
15kW 4P																								3579	3980	4452	5013	5455	6489	7317	8018	8841	9821	11006	12470					
18.5kW 4P																								4.73	4.25	3.80	3.38	3.10	2.61	2.31	2.11	1.91	1.72	1.51	1.32					
22kW 4P																								3675	4079	4556	5249	5838	6530	7353	8001	9518	10732	11760	12967	14403	16142	18290		
30kW 4P																								4.6	4.15	3.71	3.22	2.9	2.59	2.3	2.11	1.78	1.58	1.44	1.3	1.17	1.03	0.9		
37kW 4P																								3496	4028	4480	5011	5563	6213	7157	7960	8904	10027	10910	12979	14635	16037	17682	19641	
45kW 4P																								4.84	4.2	3.78	3.38	3.04	2.72	2.36	2.13	1.9	1.69	1.55	1.3	1.16	1.06	0.86		
55kW 4P																								3204	3861	4312	4967	5525	6180	6861	7662	8827	9820	10980	12360	13450	16000	18049	19779	
75kW 4P																								4.85	4.38	3.92	3.41	3.06	2.74	2.47	2.21	1.92	1.72	1.54	1.37	1.26	1.06	0.94		
90kW 4P																								3535	3810	4591	5128	5907	6570	7350	8159	9112	10480	11600	13045	14706	16001	19036		
110kW 4P																								4.44	4.08	3.69	3.3	2.86	2.58	2.3	2.07	1.86	1.61	1.45	1.3	1.15	1.06	0.89		
132kW 4P																								3642	4052	4820	5195	6261	6993	8055	8960	10020	11120	12420	14300	15900	17800	20053		
160kW 4P																								4.48	4.26	3.25	2.99	2.7	2.42	2.1	1.89	1.69	1.52	1.36	1.18	1.06	0.95	0.84		
200kW 4P																								3278	3647	4061	4492	4997	5944	6407	7722	8624	9940	11050	12360	13720	15320	17650	19636	
2.2kW 6P																								4.98	4.74	4.25	3.63	3.46	2.64	2.43	2.19	1.96	1.7	1.53	1.37	1.23	1.1	0.96	0.86	
4kW 6P																								3113	3602	3986	4436	4939	5463	6077	7290	7792	9391	10470	12060	13439	15033	16688	18638	
7.5kW 6P																								4.94	4.26	4.09	3.9	3.5	2.99	2.84	2.17	1.99	1.8	1.61	1.4	1.26	1.13	1.01	0.91	
15kW 6P																								3165	3804	4403	4872	5421	6037	6677	7428	8836	9524	11460	12800	14750	16400	18374	20396	22790
22kW 6P																								4.55	4.04	3.49	3.35	3.19	2.86	2.44	2.33	1.77	1.63	1.47	1.32	1.15	1.03	0.92	0.83	
37kW 6P																								4.85	4.38	3.92	3.41	3.06	2.74	2.47	2.21	1.92	1.72	1.54	1.37	1.26	1.06	0.94		
55kW 6P																								3535	3810	4591	5128	5907	6570	7350	8159	9112	10480	11600	13045	14706	16001	19036		
75kW 6P																								4.44	4.08	3.69	3.3	2.86	2.58	2.3	2.07	1.86	1.61	1.45	1.3	1.15	1.06	0.89		
90kW 6P																								3642	4052	4820	5195	6261	6993	8055	8960	10020	11120	12420	14300	15900	17800	20053		
110kW 6P																								4.48	4.26	3.25	2.99	2.7	2.42	2.1	1.89	1.69	1.52	1.36	1.18	1.06	0.95	0.84		
132kW 6P																								3278	3647	4061	4492	4997	5944	6407	7722	8624	9940	11050	12360	13720	15320	17650	19636	
160kW 6P																								4.98	4.74	4.25	3.63	3.46	2.64	2.43	2.19	1.96	1.7	1.53	1.37	1.23	1.1	0.96	0.86	
200kW 6P																								3113	3602	3986	4436	4939	5463	6077	7290	7792	9391	10470	12060	13439	15033	16688	18638	
2.2kW 8P																								4.94	4.26	4.09	3.9	3.5	2.99	2.84	2.17	1.99	1.8	1.61	1.4	1.26	1.13	1.01	0.91	
4kW 8P																								3165	3804	4403	4872	5421	6037	6677	7428	8836	9524	11460	12800	14750	16400	18374	20396	22790
7.5kW 8P																								4.55	4.04	3.49	3.35	3.19	2.86	2.44	2.33	1.77	1.63	1.47	1.32	1.15	1.03	0.92	0.83	
15kW 8P																								4.85	4.38	3.92	3.41	3.06	2.74	2.47	2.21	1.92	1.72	1.54	1.37	1.26	1.06	0.94		
22kW 8P																								3535	3810	4591	5128	5907	6570	7350	8159	9112	10480	11600	13045	14706	16001	19036		
37kW 8P																								4.44	4.08	3.69	3.3	2.86	2.58	2.3	2.07	1.86	1.61	1.45	1.3	1.15	1.06	0.89		
55kW 8P																								3642	4052	4820	5195	6261	6993	8055	8960	10020	11120	12420	14300	15900	17800	20053		
75kW 8P																								4.48	4.26	3.25	2.99	2.7	2.42	2.1	1.89	1.69	1.52	1.36	1.18	1.06	0.95	0.84		
90kW 8P																								3278	3647	4061	4492	4997	5944	6407	7722	8624	9940	11050	12360	13720	15320	17650	19636	
110kW 8P																								4.98	4.74	4.25	3.63	3.46	2.64	2.43	2.19	1.96	1.7	1.53	1.37	1.23	1.1	0.96	0.86	
132kW 8P																								3113	3602	3986	4436	4939	5463	6077	7290	7792	9391	10470	12060	13439	15033	16688	18638	
160kW 8P																								4.94	4.26	4.09	3.9	3.5	2.99	2.84	2.17	1.99	1.8	1.61	1.4	1.26	1.13	1.01	0.91	
200kW 8P																								3165	3804	4403	4872	5421	6037	6677	7428	8836	9524	11460	12800	14750	16400	18374	20396	22790
2.2kW 10P																								4.55	4.04	3.49	3.35	3.19	2.86	2.44	2.33	1.77	1.63	1.47	1.32	1.15	1.03	0.92	0.83	
4kW 10P																								4.85	4.38	3.92	3.41	3.06	2.74	2.47	2.21	1.92	1.72	1.54	1.37	1.26	1.06	0.94		
7.5kW 10P																								3535	3810	4591	5128	5907	6570	7350	8159	9112	10480	11600	13045	14706	16001	19036		
15kW 10P																								4.44	4.08	3.69	3.3	2.86	2.58	2.3	2.07	1.86	1.61	1.45	1.3	1.15	1.06	0.89		
22kW 10P																								3642	4052	4820	5195	6261	6993</											



REC、RC、FC、KC和SC系列减速器配电机联接法兰时的法兰外型及安装尺寸表:

Flange appearance and installation size table of REC, RC, FC, KC and SC series speed reducers furnished with electric motor connection flanges

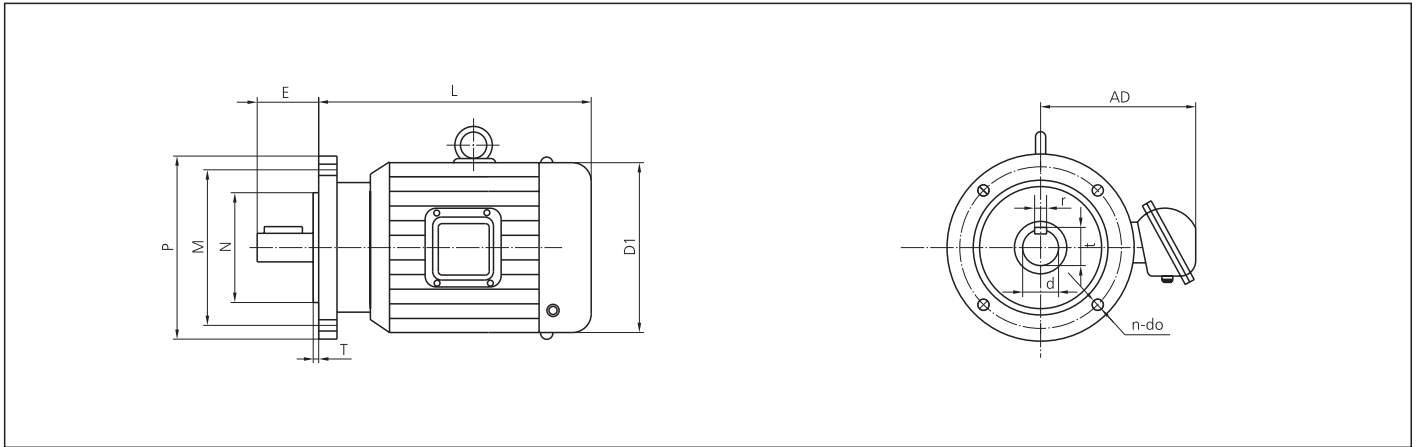


电机机座号 Motor seat No.	电机功率、极数 Motor power and poles			尺寸/Size																																																																																																																																																																																																																																											
	4P	6P	8P	φk(E7)	k	k1	k2	k3	k4(H7)	k5	k6	k7	k8	k9																																																																																																																																																																																																																																	
Y63	0.12			11	4	12.8	140	115	95	4	16	27	64	4-M8																																																																																																																																																																																																																																	
	0.18														Y71	0.25	0.18		14	5	16.3	160	130	110	4	16	33	64	4-M8	0.37	0.25		Y80	0.55	0.37	0.18	19	6	21.8	200	165	130	4	18	43	72	4-M10	0.75	0.55	0.25	Y90	1.1	0.75	0.37	24	8	27.3	200	165	130	4	18	54	72	4-M10	1.5	1.1	0.55	Y100	2.2	1.5	0.75	28	8	31.3	250	215	180	5	22	65	83	4-M12	3		1.1	Y112	4	2.2	1.5	28	8	31.3	250	215	180	5	22	65	83	4-M12				Y132	5.5	3	2.2	38	10	41.3	300	265	230	5	25	85	101	4-M12	7.5	4	3	Y160	11	7.5	4	42	12	45.3	350	300	250	6	30	115	145	4-M16			5.5	15	11	7.5	Y180	18.5			48	14	51.8	350	300	250	6	30	115	145	4-M16	22	15	11	Y200	30	18.5	15	55	16	59.3	400	350	300	6	32	115	160	4-M16		22		Y225	37		18.5	60	18	64	450	400	350	6	35	145	175	8-M16	45	30	22	Y250	55	37	30	65	18		550	500	450	6	35	145	215	8-M16				Y280	75	45	37	75	20		550	500	450	6	35	145	215	8-M16	90	55	45	Y315	110	75		80	22
Y71	0.25	0.18		14	5	16.3	160	130	110	4	16	33	64	4-M8																																																																																																																																																																																																																																	
	0.37	0.25													Y80	0.55	0.37	0.18	19	6	21.8	200	165	130	4	18	43	72	4-M10	0.75	0.55	0.25	Y90	1.1	0.75	0.37	24	8	27.3	200	165	130	4	18	54	72	4-M10	1.5	1.1	0.55	Y100	2.2	1.5	0.75	28	8	31.3	250	215	180	5	22	65	83	4-M12	3		1.1	Y112	4	2.2	1.5	28	8	31.3	250	215	180	5	22	65	83	4-M12				Y132	5.5	3	2.2	38	10	41.3	300	265	230	5	25	85	101	4-M12	7.5	4	3	Y160	11	7.5	4	42	12	45.3	350	300	250	6	30	115	145	4-M16			5.5		15	11	7.5												Y180	18.5			48	14	51.8	350	300	250	6	30	115	145	4-M16	22	15	11	Y200	30	18.5	15	55	16	59.3	400	350	300	6	32	115	160	4-M16		22		Y225	37		18.5	60	18	64	450	400	350	6	35	145	175	8-M16	45	30	22	Y250	55	37	30	65	18		550	500	450	6	35	145	215	8-M16				Y280	75	45	37	75	20		550	500	450	6	35	145	215	8-M16	90	55	45	Y315	110	75		80	22		660	600	550	7	40
Y80	0.55	0.37	0.18	19	6	21.8	200	165	130	4	18	43	72	4-M10																																																																																																																																																																																																																																	
	0.75	0.55	0.25												Y90	1.1	0.75	0.37	24	8	27.3	200	165	130	4	18	54	72	4-M10	1.5	1.1	0.55	Y100	2.2	1.5	0.75	28	8	31.3	250	215	180	5	22	65	83	4-M12	3		1.1	Y112	4	2.2	1.5	28	8	31.3	250	215	180	5	22	65	83	4-M12				Y132	5.5	3	2.2	38	10	41.3	300	265	230	5	25	85	101	4-M12	7.5	4	3	Y160	11	7.5	4	42	12	45.3	350	300	250	6	30	115	145	4-M16			5.5		15	11	7.5												Y180	18.5			48	14	51.8	350	300	250	6	30	115	145	4-M16	22	15	11	Y200	30	18.5	15	55	16	59.3	400	350	300	6	32	115	160	4-M16		22		Y225	37		18.5	60	18	64	450	400	350	6	35	145	175	8-M16	45	30	22	Y250	55	37	30	65	18		550	500	450	6	35	145	215	8-M16				Y280	75	45	37	75	20		550	500	450	6	35	145	215	8-M16	90	55	45	Y315	110	75		80	22		660	600	550	7	40	175	265	8-M20	132	90													
Y90	1.1	0.75	0.37	24	8	27.3	200	165	130	4	18	54	72	4-M10																																																																																																																																																																																																																																	
	1.5	1.1	0.55												Y100	2.2	1.5	0.75	28	8	31.3	250	215	180	5	22	65	83	4-M12	3		1.1	Y112	4	2.2	1.5	28	8	31.3	250	215	180	5	22	65	83	4-M12				Y132	5.5	3	2.2	38	10	41.3	300	265	230	5	25	85	101	4-M12	7.5	4	3	Y160	11	7.5	4	42	12	45.3	350	300	250	6	30	115	145	4-M16			5.5		15	11	7.5												Y180	18.5			48	14	51.8	350	300	250	6	30	115	145	4-M16	22	15	11	Y200	30	18.5	15	55	16	59.3	400	350	300	6	32	115	160	4-M16		22		Y225	37		18.5	60	18	64	450	400	350	6	35	145	175	8-M16	45	30	22	Y250	55	37	30	65	18		550	500	450	6	35	145	215	8-M16				Y280	75	45	37	75	20		550	500	450	6	35	145	215	8-M16	90	55	45	Y315	110	75		80	22		660	600	550	7	40	175	265	8-M20	132	90																															
Y100	2.2	1.5	0.75	28	8	31.3	250	215	180	5	22	65	83	4-M12																																																																																																																																																																																																																																	
	3		1.1												Y112	4	2.2	1.5	28	8	31.3	250	215	180	5	22	65	83	4-M12				Y132	5.5	3	2.2	38	10	41.3	300	265	230	5	25	85	101	4-M12	7.5	4	3	Y160	11	7.5	4	42	12	45.3	350	300	250	6	30	115	145	4-M16			5.5		15	11	7.5												Y180	18.5			48	14	51.8	350	300	250	6	30	115	145	4-M16	22	15	11	Y200	30	18.5	15	55	16	59.3	400	350	300	6	32	115	160	4-M16		22		Y225	37		18.5	60	18	64	450	400	350	6	35	145	175	8-M16	45	30	22	Y250	55	37	30	65	18		550	500	450	6	35	145	215	8-M16				Y280	75	45	37	75	20		550	500	450	6	35	145	215	8-M16	90	55	45	Y315	110	75		80	22		660	600	550	7	40	175	265	8-M20	132	90																																																	
Y112	4	2.2	1.5	28	8	31.3	250	215	180	5	22	65	83	4-M12																																																																																																																																																																																																																																	
															Y132	5.5	3	2.2	38	10	41.3	300	265	230	5	25	85	101	4-M12	7.5	4	3	Y160	11	7.5	4	42	12	45.3	350	300	250	6	30	115	145	4-M16			5.5		15	11	7.5												Y180	18.5			48	14	51.8	350	300	250	6	30	115	145	4-M16	22	15	11	Y200	30	18.5	15	55	16	59.3	400	350	300	6	32	115	160	4-M16		22		Y225	37		18.5	60	18	64	450	400	350	6	35	145	175	8-M16	45	30	22	Y250	55	37	30	65	18		550	500	450	6	35	145	215	8-M16				Y280	75	45	37	75	20		550	500	450	6	35	145	215	8-M16	90	55	45	Y315	110	75		80	22		660	600	550	7	40	175	265	8-M20	132	90																																																																			
Y132	5.5	3	2.2	38	10	41.3	300	265	230	5	25	85	101	4-M12																																																																																																																																																																																																																																	
	7.5	4	3												Y160	11	7.5	4	42	12	45.3	350	300	250	6	30	115	145	4-M16			5.5		15	11	7.5												Y180	18.5			48	14	51.8	350	300	250	6	30	115	145	4-M16	22	15	11	Y200	30	18.5	15	55	16	59.3	400	350	300	6	32	115	160	4-M16		22		Y225	37		18.5	60	18	64	450	400	350	6	35	145	175	8-M16	45	30	22	Y250	55	37	30	65	18		550	500	450	6	35	145	215	8-M16				Y280	75	45	37	75	20		550	500	450	6	35	145	215	8-M16	90	55	45	Y315	110	75		80	22		660	600	550	7	40	175	265	8-M20	132	90																																																																																					
Y160	11	7.5	4	42	12	45.3	350	300	250	6	30	115	145	4-M16																																																																																																																																																																																																																																	
			5.5																																																																																																																																																																																																																																												
	15	11	7.5																																																																																																																																																																																																																																												
Y180	18.5			48	14	51.8	350	300	250	6	30	115	145	4-M16																																																																																																																																																																																																																																	
	22	15	11																																																																																																																																																																																																																																												
Y200	30	18.5	15	55	16	59.3	400	350	300	6	32	115	160	4-M16																																																																																																																																																																																																																																	
		22																																																																																																																																																																																																																																													
Y225	37		18.5	60	18	64	450	400	350	6	35	145	175	8-M16																																																																																																																																																																																																																																	
	45	30	22																																																																																																																																																																																																																																												
Y250	55	37	30	65	18		550	500	450	6	35	145	215	8-M16																																																																																																																																																																																																																																	
Y280	75	45	37	75	20		550	500	450	6	35	145	215	8-M16																																																																																																																																																																																																																																	
	90	55	45																																																																																																																																																																																																																																												
Y315	110	75		80	22		660	600	550	7	40	175	265	8-M20																																																																																																																																																																																																																																	
	132	90																																																																																																																																																																																																																																													

注 其它外形和安装尺寸请参见样本各系列外形及安装尺寸图和尺寸表。
 Note Please refer to appearance and installation size diagram and table of all series inside the catalogue for other appearance and installation sizes.



标准电机(B5)外形和安装尺寸 Appearance and Installation Size of Standard Electric Motor (B5)

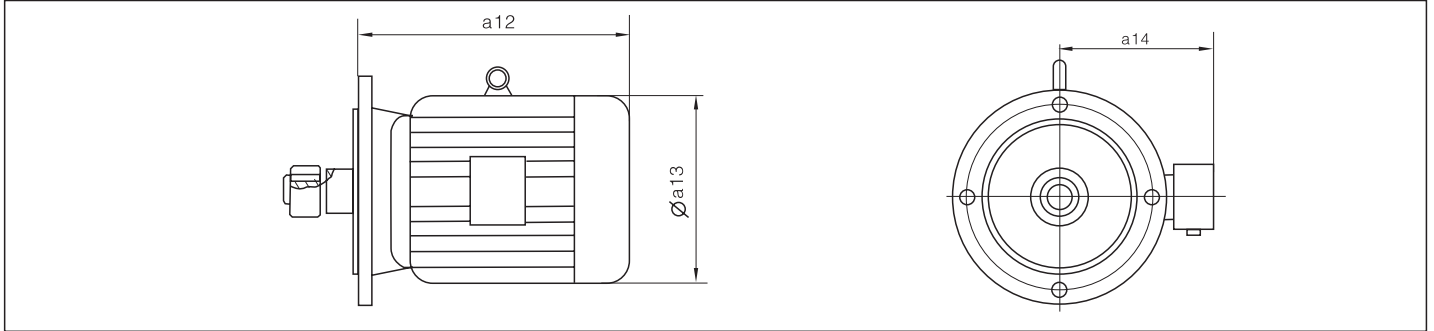


电机 motor	电机功率、极数 motor power and poles			尺 寸 Size															
	4P	6P	8P	M	N (JS6)	P	T	n-do	d	E	r	t	D1	AD	L				
Y56	0.09 0.12			100	80	120	3	4 × 9	9j6	20	3	11.2	115	90	190				
Y63	0.12 0.18			115	95	140	3	4 × 10	11j6	23	4	12.5	130	70	217				
Y71	0.25 0.37	0.18 0.25		130	110	160	3.5	4 × 10	14j6	30	5	16	145	80	225				
Y80	0.55 0.75	0.37 0.55	0.18 0.25	165	130	200	3.5	4 × 12	19j6	40	6	21.5	165	150	225				
90S	1.1	0.75	0.37	165	130	200	3.5	4 × 12	24j6	50	8	27	175	155	270				
90L	1.5	1.1	0.55	165	130	200	3.5	4 × 12	24j6	50	8	27	175	155	295				
100L1	2.2	1.5	0.75	215	180	250	4	4 × 15	28j6	60	8	31	215	180	325				
100L2	3.0		1.1	215	180	250	4	4 × 15	28j6	60	8	31	215	180	325				
112M	4.0	2.2	1.5	215	180	250	4	4 × 15	28j6	60	8	31	240	190	345				
132S	5.5	3.0	2.2	265	230	300	4	4 × 15	38K6	80	10	41	275	210	390				
132M	7.5	4.0 5.5	3.0	265	230	300	4	4 × 15	38K6	80	10	41	275	210	410				
160M	11	7.5	4.0 5.5	300	250	350	5	4 × 19	42K6	110	12	46	330	255	505				
160L	15	11	7.5	300	250	350	5	4 × 19	42K6	110	12	46	330	255	505				
180M	18.5			300	250	350	5	4 × 19	48K6	110	14	51.5	380	280	590				
180L	22	15	11	300	250	350	5	4 × 19	48K6	110	14	51.5	380	280	630				
200L	30	18.5 22	15	350	300	400	5	4 × 19	55M6	110	16	59	420	305	660				
225S	37		18.5	400	350	450	5	4 × 19	60m6	140	18	64	450	345	680				
225M	45	30	22	400	350	450	5	8 × 19	55m6	60m6	110	140	16	18	59	64	450	345	705
250M	55	37	30	500	450	550	5	8 × 19	60m6	65m6	140	18	18	64	69	510	370	770	
280S	75	45	37	500	450	550	5	8 × 19	65m6	75m6	140	18	20	70	80	580	410	845	
280M	90	55	45	500	450	550	5	8 × 19	65m6	75m6	140	18	20	70	80	580	410	895	
315S	110	75		600	550	660	6	8 × 24	65m6	80m6	140	170	18	22	70	87	645	530	1020 1130
315M	132	90		600	550	660	6	8 × 24	65m6	80m6	140	170	18	22	70	87	645	530	1050 1160



REC、RC、FC、KC、SC系列齿轮减速器配直联电机外型尺寸:

Appearance and Dimension of REC、RC、FC、KC、SC series Gear Speed Reducer Furnished With Direct Connection Motor.

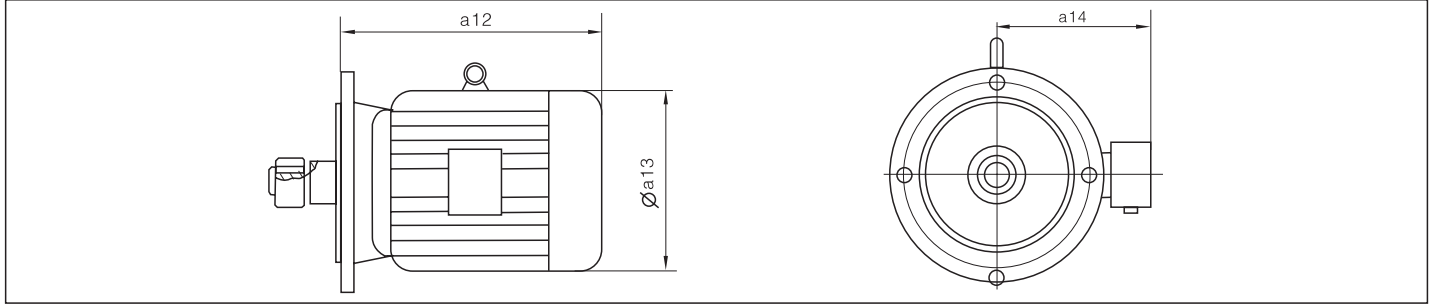


电机机座号 Motor baseframe type	电机功率、极数 Motor power and poles			减速器型号 Models of Speed Reducers	尺寸(mm) Size		
	4P	6P	8P		a12	a13	a14
Y71	0.25 0.37	0.18 0.25		REC(31、41、61) RC(37、47、57、67)	245	145	80
				FC(37、47、57、67) KC(37、47、57、67)			
				SC(37、47、57、67)	233		
				REC71、RC77、FC77、KC77、SC77			
Y80	0.55 0.75	0.37 0.55	0.18 0.25	REC(31、41、61、71) RC(37、47、57、67、77)	278	165	150
				FC(37、47、57、67、77) KC(37、47、57、67、77)			
				SC(37、47、57、67、77)	246		
				REC(81、91) RC(87、97)			
				FC(87、97、107) KC(87、97)			
				SC(87、97)			
Y90S	1.1	0.75	0.37	REC(31、41、61、71) RC(37、47、57、67、77)	304	175	155
				FC(37、47、57、67、77) KC(37、47、57、67、77)			
				SC(37、47、57、67、77)	280		
				REC(81、91) RC(87、97)			
				FC(87、97、107) KC(87、97)			
				SC(87、97)			
Y90L	1.5	1.1	0.55	REC(31、41、61、71) RC(37、47、57、67、77)	328	175	155
				FC(37、47、57、67、77) KC(37、47、57、67、77)			
				SC(37、47、57、67、77)	304		
				REC(81、91) RC(87、97)			
				FC(87、97、107) KC(87、97)			
				SC(87、97)			
Y100	2.2 3	1.5	0.75 1.1	REC31、RC37、FC37、FC47、KC37、SC37、SC47	340	215	180
				REC(41、61、71、81) RC(47、57、67、77、87)	328	215	180
				FC(57、67、77、87) KC(47、57、67、77、87)			
				SC(57、67、77、87)			
Y112	4	2.2	1.5	REC(41、61、71、81) RC(47、57、67、77、87)	380	240	190
				FC(57、67、77、87) KC(47、57、67、77、87)			
				SC(57、67、77、87)	334		
				REC91、REC101、RC97、RC107			
				KC(97、107) SC97			
Y132S	5.5	3	2.2	REC(41、61、71、81、91) RC(47、57、67、77、87、97)	425	275	210
				FC(57、67、77、87、97、107) KC(47、57、67、77、87、97)			
				SC(57、67、77、87、97)			
				REC101、RC107、FC127、KC107	386		
				RC(137、147) FC157	388		
				KC(137、147)			
Y132M	7.5	4 5.5	3	REC(41、61、71、81、91) RC(47、57、67、77、87、97)	461	275	210
				FC(57、67、77、87、97、107) KC(47、57、67、77、87、97)			
				SC(57、67、77、87、97)			
				REC101、RC107、FC127、KC107	422		
				RC137、RC147、FC157、KC127	424		



REC、RC、FC、KC、SC系列齿轮减速器配直联电机外型尺寸:

Appearance and Dimension of REC、RC、FC、KC、SC series Gear Speed Reducer Furnished With Direct Connection Motor.



电机机座号 Motor baseframe type	电机功率、极数(kW) Motor power and poles			减速器型号 Models of Speed Reducers	尺寸(mm) Size		
	4P	6P	8P		a12	a13	a14
Y160M	11	7.5	4 5.5	REC(71、81、91)RC(77、87、97) FC(77、87、97、107)KC(77、87、97) SC(77、87、97)	524	330	255
				REC101、RC107、FC127、KC107	504		
				RC(137、147、167)FC(157、167) KC(127、157、167)	567		
Y160L	15	11	7.5	REC(71、81、91)RC(77、87、97) FC(77、87、97、107)KC(77、87、97) SC(77、87、97)	547	330	255
				REC101、RC107、FC127、KC107	519		
				RC(137、147、167)KC(127、157、167) FC157	602		
Y180M	18.5			REC81、RC87、FC87、KC87、SC87	583	380	280
				REC(91、101)RC(97、107) FC(97、107、127)KC(97、107) SC97	555		
				RC137、RC147、KC127、FC157	583		
				RC167、KC157、KC167	635		
Y180L	22	15	11	REC81、RC87、FC87、KC87、SC87	616	380	280
				REC(91、101)RC(97、107) FC(97、107、127)KC(97、107) SC97	588		
				RC137、RC147、KC127、FC157	616		
				RC167、KC157、KC167	666		
Y200L	30	18.5 22	15	REC(91、101)RC(97、107) FC(97、107、127)KC(97、107) SC97	654	420	305
				RC137、RC147、KC127、FC157	654		
				RC167、KC157、KC167	642		
Y225S	37		18.5	REC101、RC107、FC127、KC107	680	450	345
				RC137、RC147、KC127、FC157	674		
				RC167、KC157、KC167	669		
Y225M	45	30	22	REC101、RC107、FC127、KC107	702	450	345
				RC137、RC147、KC127、FC157	696		
				RC167、KC157、KC167	691		
Y250M	55	37	30	RC137、RC147、KC127、FC157	775	510	370
				RC167、KC157、KC167	770		
Y280S	75	45	37	RC167、KC157、KC167	828	580	410
Y280M	90	55	45	RC167、KC157、KC167	879	580	410
Y315S	110	75	55	RC187、KC187	1100	645	530
Y315M	132	90	75	RC187、KC187	1180	645	530
Y315L1	160	110	90	RC187、KC187	1270	645	530
Y315L2	200	132	110	RC187、KC188	1270	645	530